

MASI

CONDITIONERS

Clima Control Professional Devices

***RACCORDI A PRESSARE
ONE PIECE***

ONE PIECE CRIMP FITTING

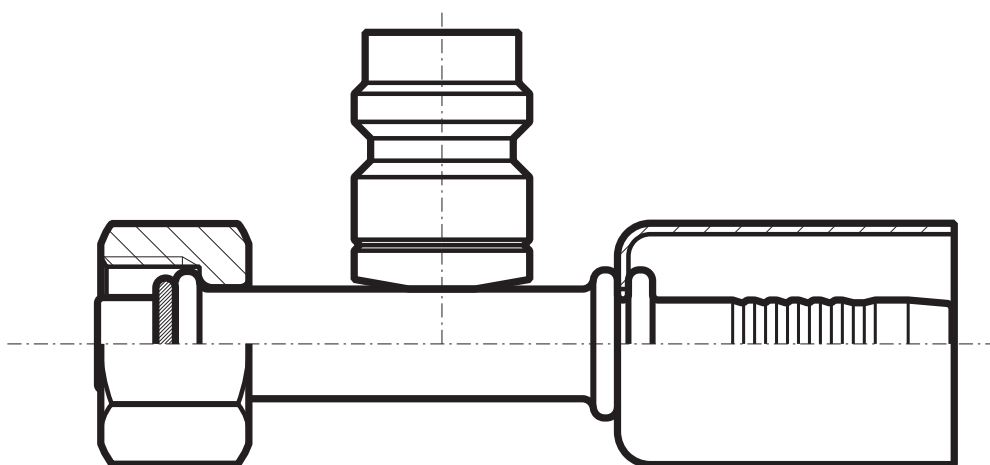
**SERIE RIDOTTO PER TUBO BLIZZARD
TIH42: SAE J2064 TYPE C BARRIER**



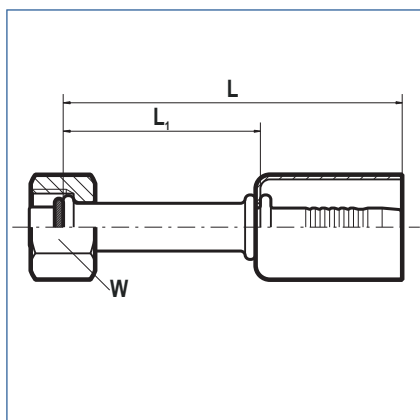
www.masiconditioners.com

**SERIE RIDOTTO PER TUBO BLIZZARD
TIH42: SAE J2064 TYPE C BARRIER**

**RACCORDI A PRESSARE ONE PIECE
ONE PIECE CRIMPO FITTINGS**



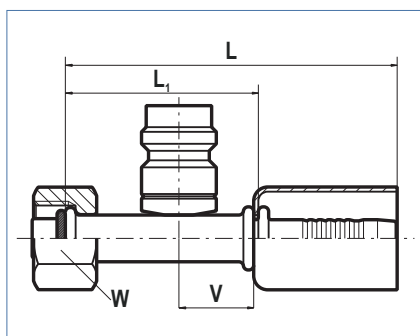
FEMMINA DRITTA O-RING
STRAIGHT O-RING FEMALE



Codice Code	Size tubo Hose size	Filettatura Threading	L ^{±2.5}	L ₁ ^{±2.5}	W
7.06.069	06-5/16"	5/8"-16-UNF-2B	61,5	31,8	19
7.08.095	08-13/32"	3/4"-16-UNF-2B	66,5	33,3	22
7.08.055 *	08-13/32"	1"-14-UNS-2B	66	32,8	29
7.10.002	10-1/2"	7/8"-14-UNF-2B	68,0	34,3	27
	10-1/2"	1"-14-UNS-2B	56,5	22,8	29
	12-5/8"	7/8"-14-UNF-2B	69,2	34,2	27
	12-5/8"	1"-14-UNS-2B	51,4	16,4	29
	12-5/8"	1".1/16-14-UNS-2B	68,0	33	32

* Rotalock

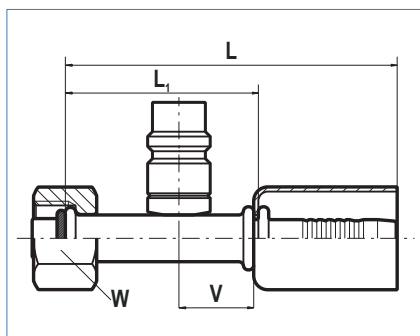
FEMMINA DRITTA O-RING CON VALVOLA ALTA PRESSIONE
STRAIGHT O-RING FEMALE WITH HIGH PRESSURE VALVE



Codice Code	Size tubo Hose size	Filettatura Threading	L ^{±2.5}	L ₁ ^{±2.5}	V	W
7.06.039	06-5/16"	5/8"-16-UNF-2B	86	56,0	16	19
7.08.039	08-13/32"	3/4"-16-UNF-2B	83	50,0	16	22
7.08.878 *	08-13/32"	1"-14-UNS-2B	75	41,8	16	29

* Rotalock

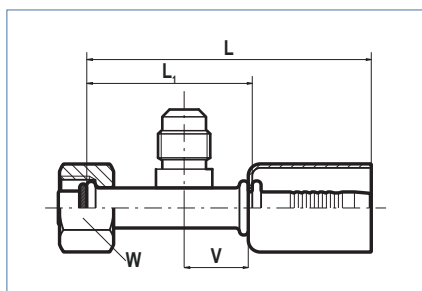
FEMMINA DRITTA O-RING CON VALVOLA BASSA PRESSIONE
STRAIGHT O-RING FEMALE WITH LOW PRESSURE VALVE



Codice Code	Size tubo Hose size	Filettatura Threading	L ^{±2.5}	L ₁ ^{±2.5}	V	W
7.10.611	10-1/2"	7/8"-14-UNF-2B	82	48,3	16	27
7.10.880 *	10-1/2"	1"-14-UNS-2B	79	45,3	16	29

* Rotalock

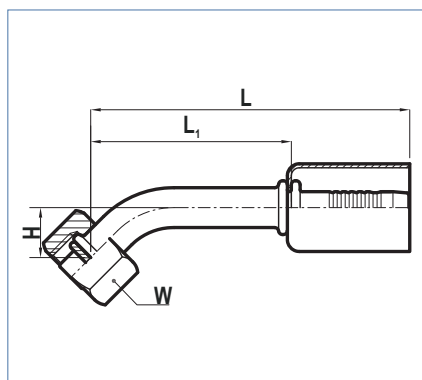
FEMMINA DRITTA O-RING CON VALVOLA DI CARICA
STRAIGHT O-RING FEMALE WITH CHARGE VALVE



Codice Code	Size tubo Hose size	Filettatura Threading	L ^{±2.5}	L ₁ ^{±2.5}	V	W
	06-5/16"	5/8"-16-UNF-2B	86	52,8	16	19
	08-13/32"	3/4"-16-UNF-2B	83	56,8	16	22
	08-13/32"	1"-14-UNS-2B	75	41,8	16	29
	10-1/2"	1"-14-UNS-2B	79	45,3	16	29
	12-5/8"	1"-14-UNS-2B	102	67	16	29

* Rotalock

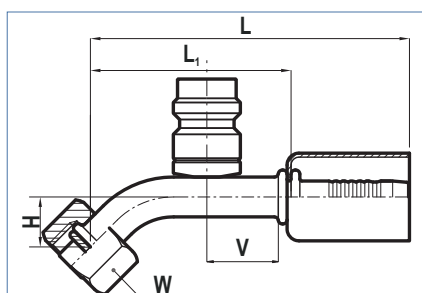
FEMMINA O-RING 45°
45° ELBOW O-RING FEMALE



Codice Code	Size tubo Hose size	Filettatura Threading	L ^{±2.5}	L ₁ ^{±2.5}	H ^{±2.0}	W
7.06.084	06-5/16"	5/8"-16-UNF-2B	80	50,3	12,5	19
7.08.097	08-13/32"	3/4"-16-UNF-2B	88	54,8	13,5	22
7.08.004 *	08-13/32"	1"-14-UNS-2B	85	51,8	14	29
7.10.019	10-1/2"	7/8"-14-UNF-2B	99	65,3	24	27
7.10.005 *	10-1/2"	1"-14-UNS-2B	98	64,3	22	29
	12-5/8"	1"-14-UNS-2B	96	61	16,5	29
	12-5/8"	1"1/16-14-UNS-2B	114	79	27	32

* Rotalock

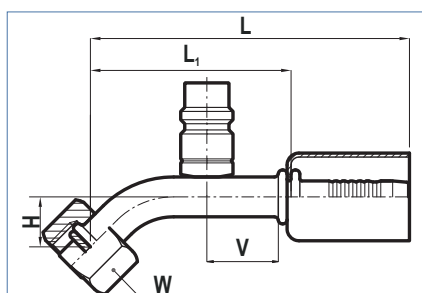
FEMMINA O-RING 45° CON VALVOLA ALTA PRESSIONE
45° ELBOW O-RING FEMALE WITH LOW PRESSURE VALVE



Codice Code	Size tubo Hose size	Filettatura Threading	L ^{±2.5}	L ₁ ^{±2.5}	H ^{±2.0}	V	W
	06-5/16"	5/8"-16-UNF-2B	80	50,3	12,5	16	19
	08-13/32"	3/4"-16-UNF-2B	88	54,8	13,5	16	22
	08-13/32"	1"-14-UNS-2B	85	51,8	14	16	29

* Rotalock

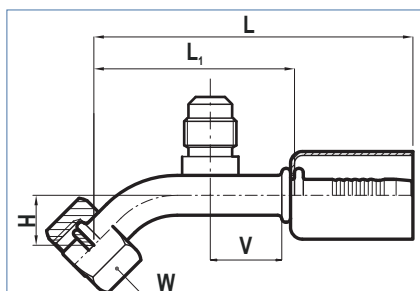
FEMMINA O-RING 45° CON VALVOLA BASSA PRESSIONE
45° ELBOW O-RING FEMALE WITH LOW PRESSURE VALVE



Codice Code	Size tubo Hose size	Filettatura Threading	L ^{±2.5}	L ₁ ^{±2.5}	H ^{±2.0}	V	W
	10-1/2"	7/8"-14-UNF-2B	99	65,3	24	16	27
	10-1/2"	1"-14-UNS-2B	98	64,3	22	16	29

* Rotalock

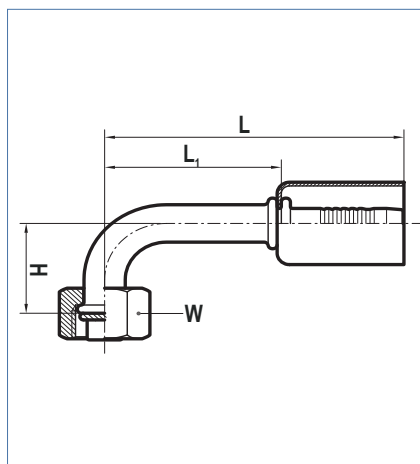
FEMMINA O-RING 45° CON VALVOLA DI CARICA
45° ELBOW O-RING FEMALE WITH CHARGE VALVE



Codice Code	Size tubo Hose size	Filettatura Threading	L ^{±2.5}	L ₁ ^{±2.5}	H ^{±2.0}	V	W
	06-5/16"	5/8"-16-UNF-2B	80	50,3	12,5	16	19
	08-13/32"	3/4"-16-UNF-2B	88	54,8	13,5	16	22
	08-13/32"	1"-14-UNS-2B	85	51,8	14	16	29

* Rotalock

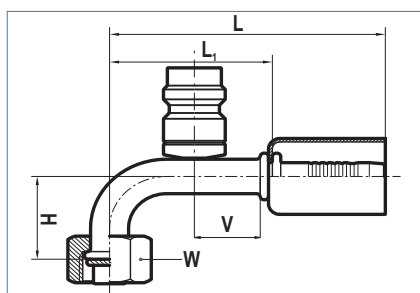
FEMMINA O-RING 90°
90° ELBOW O-RING FEMALE



Codice Code	Size tubo Hose size	Filettatura Threading	L ^{±2.5}	L ₁ ^{±2.5}	H ^{±2.0}	W
7.06.032	06-5/16"	5/8"-18-UNF-2B	72,5	42,8	24	19
7.08.026	08-13/32"	3/4"-16-UNF-2B	79	45,8	30	22
	08-13/32"	7/8"-14-UNF-2B	95	59	48	27
7.08.002 *	08-13/32"	1"-14-UNF-2B	78	47,5	33	29
7.10.059	10-1/2"	7/8"-14-UNF-2B	92	58,3	46,5	27
7.10.004 *	10-1/2"	1"-14-UNF-2B	93	59,3	39	29
	12-5/8"	7/8"-14-UNF-2B	89	54	45	27
	12-5/8"	1"-14-UNF-2B	92,5	57,5	38	29
	12-5/8"	1"1/16-14-UNS-2B	103	68	54,5	32

* Rotalock

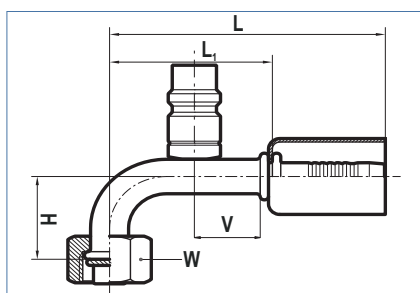
FEMMINA O-RING 90° CON VALVOLA ALTA PRESSIONE
90° ELBOW O-RING FEMALE WITH LOW PRESSURE VALVE



Codice Code	Size tubo Hose size	Filettatura Threading	L ^{±2.5}	L ₁ ^{±2.5}	H ^{±2.0}	V	W
7.06.337	06-5/16"	5/8"-18-UNF-2B	72,5	42,8	24	16	19
7.08.787	08-13/32"	3/4"-16-UNF-2B	79	45,8	30	16	22
7.08.006 *	08-13/32"	1"-14-UNF-2B	79,5	49	32	16	29

* Rotalock

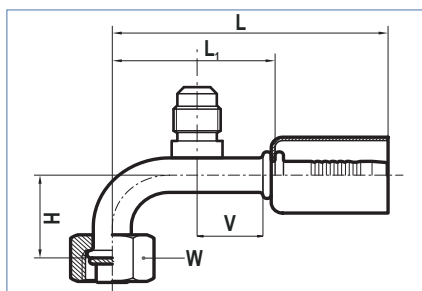
FEMMINA O-RING 90° CON VALVOLA BASSA PRESSIONE
90° ELBOW O-RING FEMALE WITH LOW PRESSURE VALVE



Codice Code	Size tubo Hose size	Filettatura Threading	L ^{±2.5}	L ₁ ^{±2.5}	H ^{±2.0}	V	W
7.10.890	10-1/2"	7/8"-14-UNF-2B	92	58,3	46,5	16	27
7.10.061 *	10-1/2"	1"-14-UNF-2B	93	59,3	39	16	29
	12-5/8"	1"-14-UNF-2B	92,5	57,5	38	16	29

* Rotalock

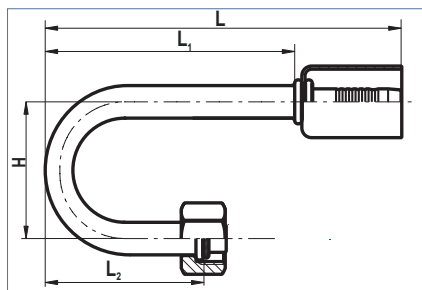
FEMMINA DRITTA O-RING CON VALVOLA DI CARICA
STRAIGHT O-RING FEMALE WITH CHARGE VALVE



Codice Code	Size tubo Hose size	Filettatura Threading	L ^{±2.5}	L ₁ ^{±2.5}	H ^{±2.0}	V	W
	12-5/8"	7/8"-14-UNF-2B	89	54	45	16	27

* Rotalock

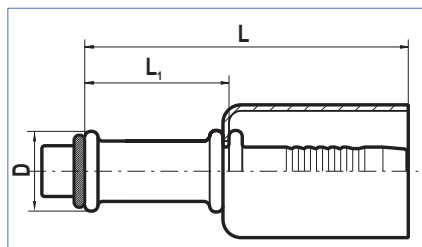
FEMMINA O-RING 180°
180° ELBOW O-RING FEMALE



Codice Code	Size tubo Hose size	Filettatura Threading	L ^{±2.5}	L ₁ ^{±2.5}	L ₂ ^{±2.5}	H ^{±2.0}	W
7.06.003	06-5/16"	5/8"-18-UNF-2B	85	55	32	50	19
7.08.003	08-13/32"	3/4"-16-UNF-2B	90	56,8	30	65	22
	08-13/32"	1"-14-UNF-2B	96	65,5	46	75	29
7.10.003	10-1/2"	7/8"-14-UNF-2B	96	62,3	40,5	50	27
	10-1/2"	1"-14-UNF-2B	97	63,3	46,5	50	29

* Rotalock

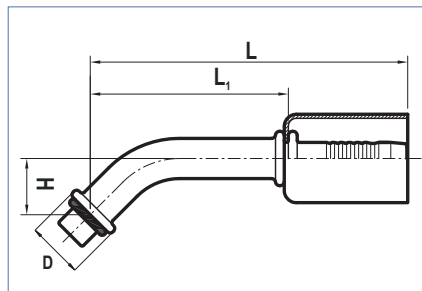
RACCORDO DRITTO PER VALVOLA A ESPANSIONE
STRAIGHT FITTING FOR EXPANSION VALVE



Codice Code	Size tubo Hose size	Filettatura Threading	L ^{±2.5}	L ₁ ^{±2.5}	D	H ^{±2.0}
7.06.021	06-5/16"	-	55,5	25,8	14	-
7.10.008	10-1/2"	-	68	34,3	23	-
	12-5/8"	-	68	32	23	-

* Rotalock

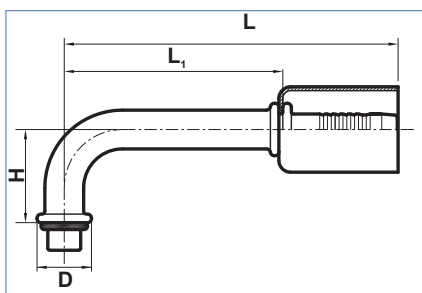
RACCORDO 45° PER VALVOLA A ESPANSIONE
45° ELBOW FITTING FOR EXPANSION VALVE



Codice Code	Size tubo Hose size	Filettatura Threading	L ^{±2.5}	L ₁ ^{±2.5}	D	H ^{±2.0}
7.06.030	06-5/16"	-	79	49,3	14	14
7.10.041	10-1/2"	-	99	65,3	23	18,5
	12-5/8"	-	107	72	23	18,5

* Rotalock

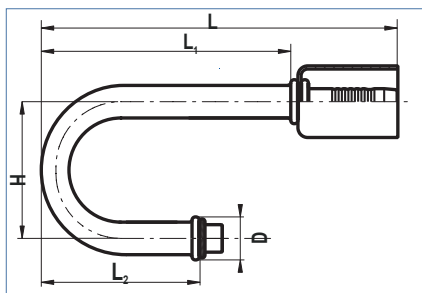
RACCORDO 90° PER VALVOLA A ESPANSIONE
 90° ELBOW FITTING FOR EXPANSION VALVE



Codice Code	Size tubo Hose size	Filettatura Threading	L ^{±2.5}	L ₁ ^{±2.5}	D	H ^{±2.0}
7.06.014	06-5/16"	-	86	56,3	14	24
	06-5/16"	-	86	58,5	17	41
7.10.027	10-1/2"	-	94,5	60,8	23	42,5
	12-5/8"	-	100	65	23	44

* Rotalock

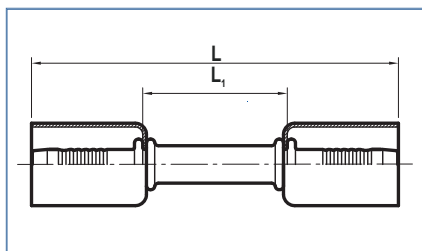
RACCORDO 180° PER VALVOLA A ESPANSIONE
 180° ELBOW FITTING FOR EXPANSION VALVE



Codice Code	Size tubo Hose size	Filettatura Threading	L ^{±2.5}	L ₁ ^{±2.5}	L ₂ ^{±2.5}	D	H ^{±2.0}
	06-5/16"	-	96	66,3	47,5	14	40
7.10.358	10-1/2"	-	102	68,3	41,7	23	50
	12-5/8"	-	102	67	41,7	23	50

* Rotalock

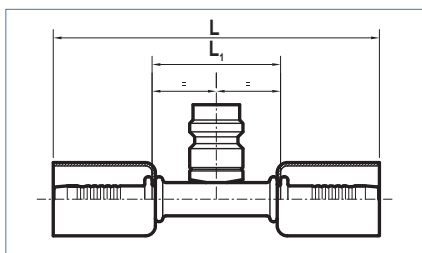
CONGIUNZIONE DRITTA
 STRAIGHT CONNECTION FITTING



Codice Code	Size tubo Hose size	Filettatura Threading	L ^{±2.5}	L ₁ ^{±2.5}	H ^{±2.0}
7.06.010	06-5/16"	-	98	38,6	-
7.08.009	08-13/32"	-	100	33,6	-
7.10.011	10-1/2"	-	102	34,6	-
	12-5/8"	-	104	34	-

* Rotalock

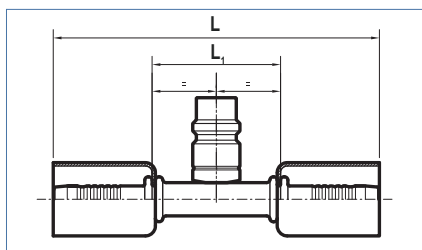
CONGIUNZIONE DRITTA CON VALVOLA ALTA PRESSIONE
CONNECTION FITTING WITH HIGH PRESSURE VALVE



Codice Code	Size tubo Hose size	Filettatura Threading	L ^{±2.5}	L ₁ ^{±2.5}	H ^{±2.0}
7.06.060	06-5/16"	-	98	38,6	-
7.08.188	08-13/32"	-	100	33,6	-

* Rotalock

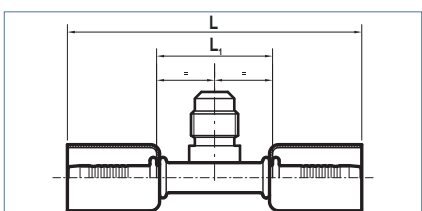
CONGIUNZIONE DRITTA CON VALVOLA BASSA PRESSIONE
CONNECTION FITTING WITH LOW PRESSURE VALVE



Codice Code	Size tubo Hose size	Filettatura Threading	L ^{±2.5}	L ₁ ^{±2.5}	H ^{±2.0}
	10-1/2"	-	102	34,6	-
7.10.058	12-5/8"	-	104	34	-

* Rotalock

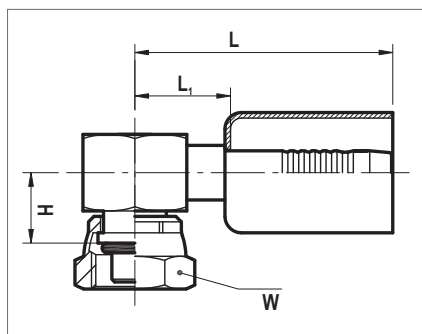
CONGIUNZIONE DRITTA CON VALVOLA DI CARICA
STRAIGHT CONNECTION WITH CHARGE VALVE



Codice Code	Size tubo Hose size	Filettatura Threading	L ^{±2.5}	L ₁ ^{±2.5}	H ^{±2.0}
7.06.902	06-5/16"	-	98	38,6	-

* Rotalock

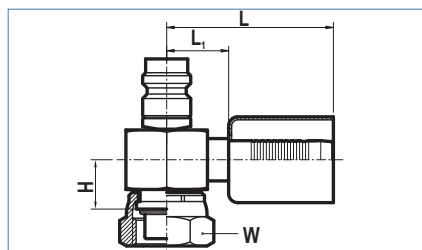
FEMMINA COMPATTA O-RING 90°
COMPACT FITTING O-RING FEMALE



Codice Code	Size tubo Hose size	Filettatura Threading	L ^{±2.5}	L ₁ ^{±2.5}	H ^{±2.0}	W
7.06.056	06-5/16"	5/8"-18-UNF-2B	47,2	17,5	12,9	19
7.08.053	08-13/32"	3/4"-16-UNF-2B	52,2	19	16	22
7.08.005 *	08-13/32"	1"-14-UNS-2B	55,7	22,5	16,4	29
7.10.007	10-1/2"	7/8"-14-UNF-2B	55,2	21,5	16,4	27
7.10.006 *	10-1/2"	1"-14-UNS-2B	56,2	22,5	16,4	29
	12-5/8"	1"-14-UNS-2B	56,5	21,5	24,2	29

* Rotalock

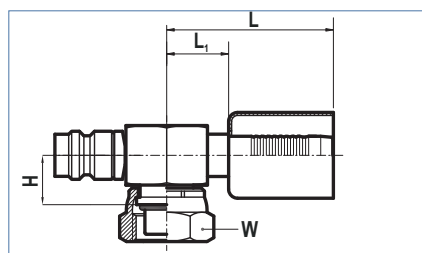
FEMMINA COMPATTA O-RING 90° CON VALVOLA ALTA PRESSIONE
COMPACT FITTING O-RING FEMALE WITH HIGH PRESSURE VALVE



Codice Code	Size tubo Hose size	Filettatura Threading	L ^{±2.5}	L ₁ ^{±2.5}	H ^{±2.0}	W
7.06.040	06-5/16"	5/8"-18-UNF-2B	47,2	17,5	12,9	19
7.08.040	08-13/32"	3/4"-16-UNF-2B	52,2	19	16	22
7.08.093 *	08-13/32"	1"-14-UNS-2B	55,7	22,5	16,4	29

* Rotalock

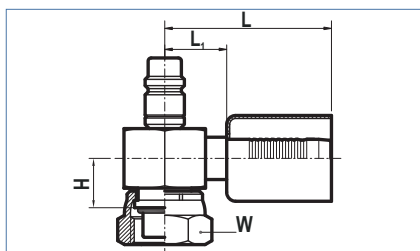
FEMMINA COMPATTA O-RING 90° CON VALVOLA ALTA PRESSIONE
COMPACT FITTING O-RING FEMALE WITH HIGH PRESSURE VALVE



Codice Code	Size tubo Hose size	Filettatura Threading	L ^{±2.5}	L ₁ ^{±2.5}	H ^{±2.0}	W
	06-5/16"	5/8"-18-UNF-2B	47,2	17,5	12,9	19
	08-13/32"	3/4"-16-UNF-2B	52,2	19	16	22
7.08.066 *	08-13/32"	1"-14-UNS-2B	55,7	22,5	16,4	29

* Rotalock

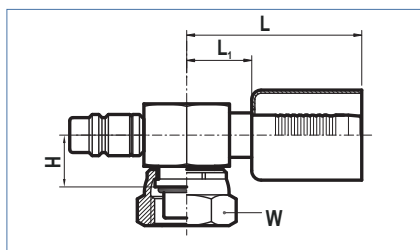
FEMMINA COMPATTA O-RING CON VALVOLA BASSA PRESSIONE
COMPACT FITTING O-RING FEMALE WITH LOW PRESSURE VALVE



Codice Code	Size tubo Hose size	Filettatura Threading	L ^{±2.5}	L ₁ ^{±2.5}	H ^{±2.0}	W
7.10.040	10-1/2"	7/8"-14-UNF-2B	55	21,5	16,4	27
7.10.064 *	10-1/2"	1"-14-UNS-2B	56,2	22,5	16,4	29
	12-5/8"	1"-14-UNS-2B	56,5	21,5	24,2	29

* Rotalock

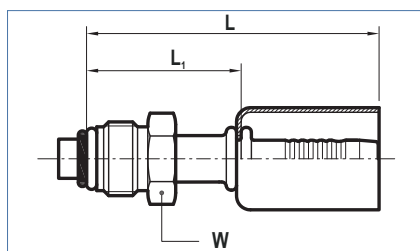
FEMMINA COMPATTA O-RING CON VALVOLA BASSA PRESSIONE
COMPACT FITTING O-RING FEMALE WITH LOW PRESSURE VALVE



Codice Code	Size tubo Hose size	Filettatura Threading	L ^{±2.5}	L ₁ ^{±2.5}	H ^{±2.0}	W
	10-1/2"	7/8"-14-UNF-2B	55	21,5	16,4	27
7.10.066 *	10-1/2"	1"-14-UNS-2B	56,2	22,5	16,4	29
	12-5/8"	1"-14-UNS-2B	56,5	21,5	24,2	29

* Rotalock

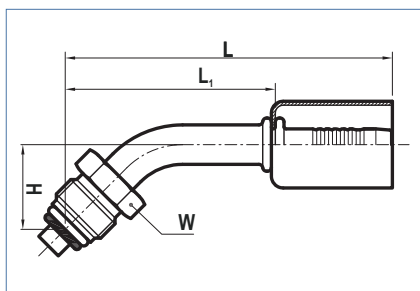
MASCHIO O-RING GIREVOLE DRITTO
STRAIGHT O-RING SWIVEL MALE



Codice Code	Size tubo Hose size	Filettatura Threading	L ^{±2.5}	L ₁ ^{±2.5}	W
7.06.050	06-5/16"	5/8"-16-UNF-2A	63	33,3	17
	08-13/32"	3/4"-18-UNF-2A	82,5	49,3	22
7.10.221	10-1/2"	7/8"-18-UNF-2A	72	38,3	22
	12-5/8"	7/8"-18-UNF-2A	76	41	22

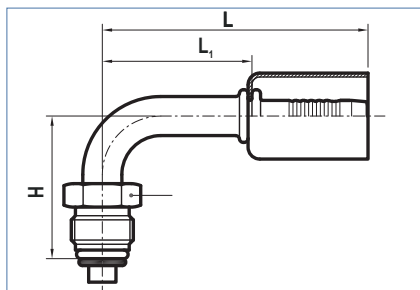
* Rotalock

MASCHIO O-RING GIREVOLE CURVA 45°
45° ELBOW O-RING SWIVEL MALE



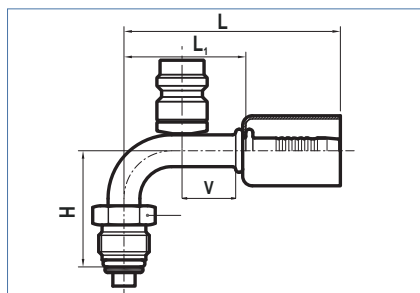
Codice Code	Size tubo Hose size	Filettatura Threading	L ^{±2.5}	L ₁ ^{±2.5}	H ^{±2.0}	W
7.06.009	06-5/16"	5/8"-16-UNF-2A	83	53,3	21,5	17
	08-13/32"	3/4"-18-UNF-2A	97	63,8	25	22
7.10.680	10-1/2"	7/8"-18-UNF-2A	102,5	68,8	30	22
	12-5/8"	7/8"-18-UNF-2A	132,5	97,5	27	22

MASCHIO O-RING GIREVOLE CURVA 90°
90° ELBOW O-RING SWIVEL MALE



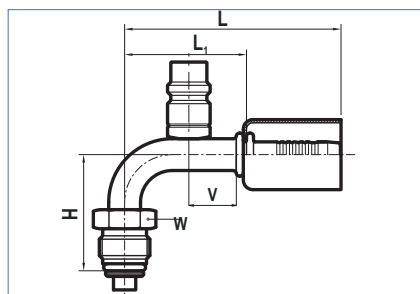
Codice Code	Size tubo Hose size	Filettatura Threading	L ^{±2.5}	L ₁ ^{±2.5}	H ^{±2.0}	W
7.06.038	06-5/16"	5/8"-16-UNF-2A	68	38,3	36,5	17
	08-13/32"	3/4"-18-UNF-2A	79	45,8	48	22
7.10.110	10-1/2"	7/8"-18-UNF-2A	87	53,3	54,5	22
	12-5/8"	7/8"-18-UNF-2A	87	52	54,5	22

MASCHIO O-RING GIREVOLE CURVA 90° VALVOLA ALTA PRESSIONE
90° ELBOW O-RING SWIVEL MALE WITH HIGH PRESSURE VALVE



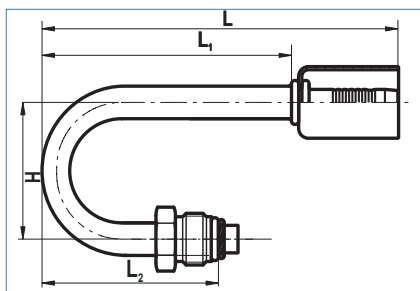
Codice Code	Size tubo Hose size	Filettatura Threading	L ^{±2.5}	L ₁ ^{±2.5}	H ^{±2.0}	V	W
	06-5/16"	5/8"-16-UNF-2A	68	38,3	36,5	16	17
	08-13/32"	3/4"-16-UNF-2B	79	45,8	48	16	22

MASCHIO O-RING GIREVOLE CURVA 90° VALVOLA BASSA PRESSIONE
90° ELBOW O-RING SWIVEL MALE WITH LOW PRESSURE VALVE



Codice Code	Size tubo Hose size	Filettatura Threading	L ^{±2.5}	L ₁ ^{±2.5}	H ^{±2.0}	V	W
	10-1/2"	7/8"-18-UNF-2A	87	53,5	54,5	16	22

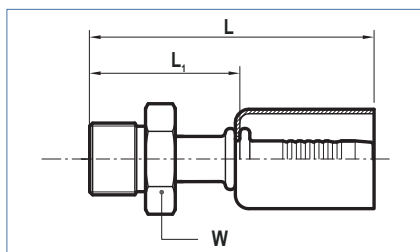
MASCHIO O-RING GIREVOLE CURVA 180°
180° ELBOW O-RING SWIVEL MALE



Codice Code	Size tubo Hose size	Filettatura Threading	L ^{±2.5}	L ₁ ^{±2.5}	L ₂ ^{±2.5}	H ^{±2.0}	W
	06-5/16"	5/8"-18-UNF-2B	104,5	74,8	50	42	17
	08-13/32"	3/4"-16-UNF-2B	96	62,8	46	75	22
	10-1/2"	7/8"-14-UNF-2B	97	63,3	46,5	50	22

* Rotalock

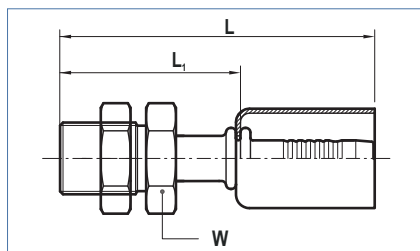
MASCHIO FISSO O-RING DRITTO
STRAIGHT O-RING FIXED MALE



Codice Code	Size tubo Hose size	Filettatura Threading	L ^{±2.5}	L ₁ ^{±2.5}	W
7.06.029	06-5/16"	5/8"-14-UNF-2A	56	26,3	17
7.10.042	10-1/2"	7/8"-14-UNF-2B	67,5	33,8	24
7.08.214	08-13/32"	3/4"-16-UNF-2B	67,5	33,8	24

* Rotalock

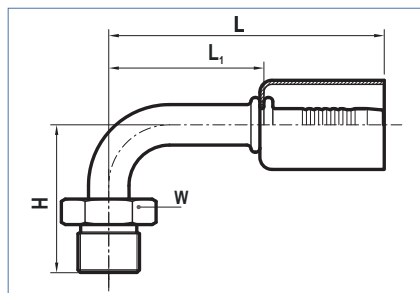
MASCHIO FISSO O-RING DRITTO CON CONTRODADO PASSA PARETE
STRAIGHT O-RING FIXED MALE WITH COUNTER NUT BULKHEAD



Codice Code	Size tubo Hose size	Filettatura Threading	L ^{±2.5}	L ₁ ^{±2.5}	W ₁	W ₂
	06-5/16"	5/8"-14-UNF-2A	75,5	25,5	24	24
7.08.939	08-13/32"	3/4"-16-UNF-2B	76,5	26	29	29
	10-1/2"	7/8"-14-UNF-2B	80	25,5	29	29

* Rotalock

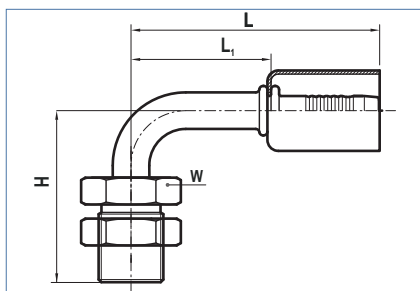
MASCHIO FISSO O-RING 90°
90° ELBOW O-RING FIXED MALE



Codice Code	Size tubo Hose size	Filettatura Threading	L ^{±2.5}	L ₁ ^{±2.5}	H ^{±2.0}	W
7.06.772	06-5/16"	5/8"-14-UNF-2A	57,2	27,5	36,7	17

* Rotalock

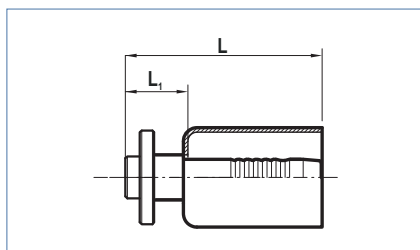
MASCHIO FISSO O-RING 90° PASSA PARETE
90° ELBOW O-RING FIXED MALE BULKHEAD



Codice Code	Size tubo Hose size	Filettatura Threading	L ^{±2.5}	L ₁ ^{±2.5}	L ₂ ^{±2.5}	H ^{±2.0}	W ₁	W ₂
7.06.951	06-5/16"	5/8"-16-UNF-2B	68,7	39	25,5	55	24	24
7.08.948	08-13/32"	3/4"-16-UNF-2B	73,5	40,3	26	56	29	29
7.10.948	10-1/2"	7/8"-16-UNF-2B	85,2	51,5	25,5	64	29	29

* Rotalock

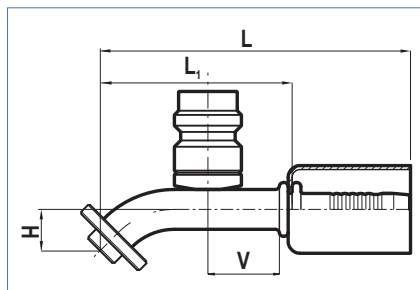
RACCORDO ATTACCO COMPRESSORE DRITTO
STRAIGHT COMPRESSOR CONNECTION



Codice Code	Size tubo Hose size	Filettatura Threading	L ^{±2.5}	L ₁ ^{±2.5}	H ^{±2.0}	D
	08-13/32"	-	47	13,8	-	26
	10-1/2"	-	60	26,3	-	30

* Rotalock

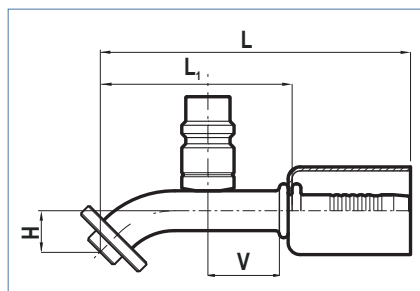
RACCORDO ATTACCO COMPRESSORE 45° VALVOLA ALTA PRESS.
45° ELBOW COMPRESSOR CONNECTION AND HIGH PRESSURE VALVE



Codice Code	Size tubo Hose size	Filettatura Threading	L ^{±2.5}	L ₁ ^{±2.5}	H ^{±2.0}	V	D
	08-13/32"	-	96	62,8	20	16	26

* Rotalock

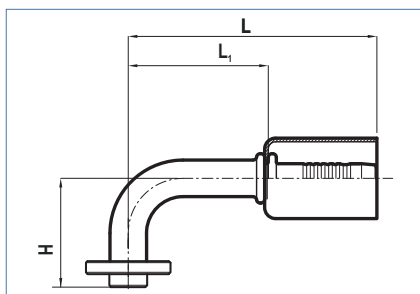
RACCORDO A FLANGIA 45° CON VALVOLA BASSA PRESSIONE
45° ELBOW FLANGE FITTING WITH LOW PRESSURE VALVE



Codice Code	Size tubo Hose size	Filettatura Threading	L ^{±2.5}	L ₁ ^{±2.5}	H ^{±2.0}	V	D
	10-1/2"	-	110	76,3	18	16	30

* Rotalock

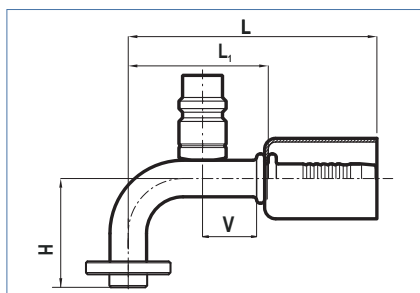
RACCORDO ATTACCO COMPRESSORE 90°
90° ELBOW COMPRESSOR CONNECTION FITTING



Codice Code	Size tubo Hose size	Filettatura Threading	L ^{±2.5}	L ₁ ^{±2.5}	H ^{±2.0}	D
	08-13/32"	-	71,5	38,3	29	26
	10-1/2"	-	95	61,3	48	30

* Rotalock

RACCORDO ATTACCO COMPRESSORE 90° VALVOLA BASSA PRESS.
90° ELBOW COMPRESSOR CONNECTION AND LOW PRESSURE VALVE



Codice Code	Size tubo Hose size	Filettatura Threading	L ^{±2.5}	L ₁ ^{±2.5}	H ^{±2.0}	V	D
	10-1/2"	-	95	61,3	48	16	30

* Rotalock

MASI

CONDITIONERS

Clima Control Professional Devices



Masi Conditioners s.r.l.

Sede: Via A. Gramsci, 20/A - **Unità Locale R&D:** Via Ortigara, 1 - 40062 Molinella (BO)
Tel. +39.051.881227 - www.masicconditioners.com - e-mail: info@masicconditioners.com