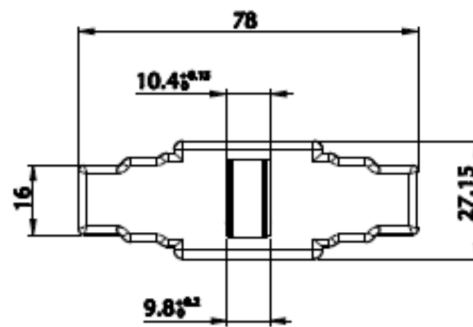
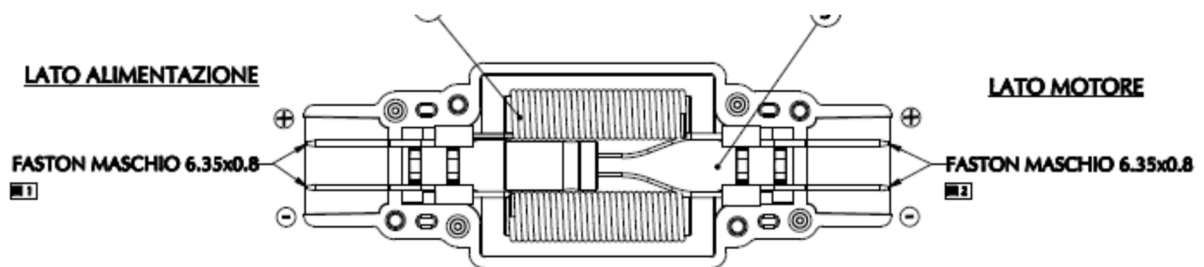


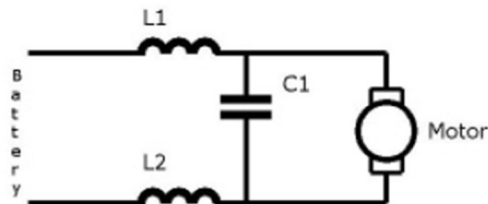
068186	FILTRO ANTIDISTURNO 9,5 $\mu$ H RESINATO ANTI-INTERFERENCE FILTER 9.5 $\mu$ H RESIN
068187	FILTRO ANTIDISTURNO 3 $\mu$ H RESINATO ANTI-INTERFERENCE FILTER 3 $\mu$ H RESIN
068188	FILTRO ANTIDISTURNO 14 $\mu$ H RESINATO ANTI-INTERFERENCE FILTER 14 $\mu$ H RESIN



## TECHNICAL DATA

### Electrical Scheme

It's a low pass filter, realized with two inductors and an electrolytic capacitor.  
Scheme is in pict. 1.



Picture 1.

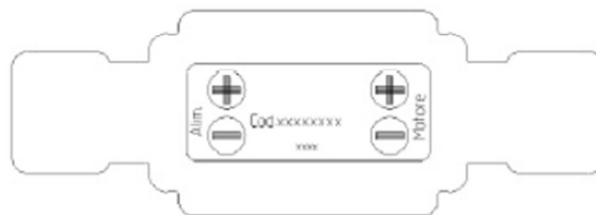
- Inductors L1, L2 3,3  $\mu$ H.
- Capacitor C1 4,7  $\mu$ F, not polarized,  $U_n=63$ V, nominal temp. 85°C.

### Realization

Semishell body is realized in polyamide PA66 glass fiber reinforced.  
Filling resin is a self-extinguishing polyurethane UL94 V-0.  
See pict. 2.

### Note

This filter is suitable to be coupled to Masi fans with a current that not exceeds 26A.  
If the fan is drive by a PWM control, this filter MUST NOT be used.



Picture 2.