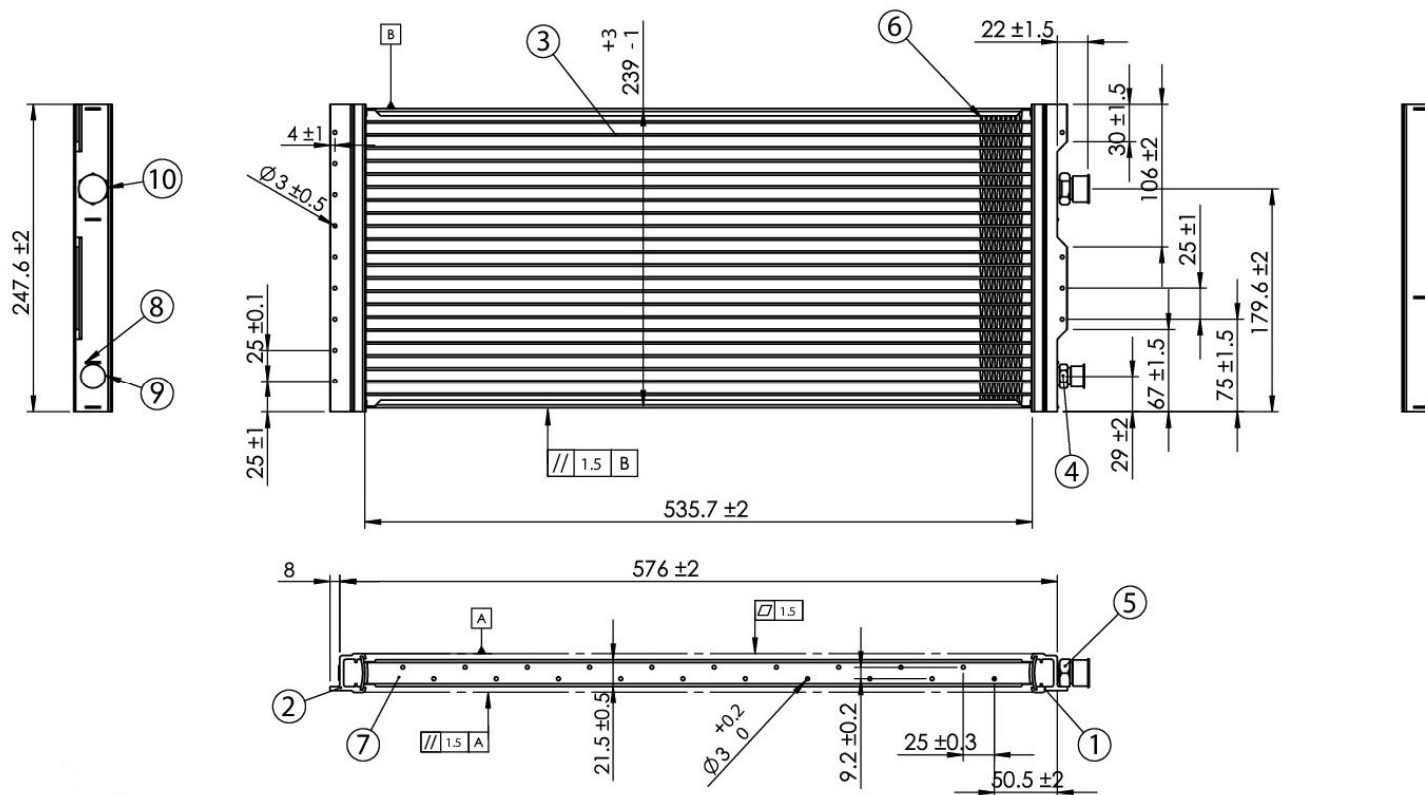


022299

CONDENSATORE A FLUSSO PARALLELO HARRISON 535x247x18 HTC P1,5
 HARRISON PARALLEL FLOW CONDENSER 535x247x18 HTC P1,5



* Leakage Test: No Gas Leakage At 20 bar For 30 Sec.

* Min. Burst "gauge" Pressure = 45 Bar min.

* Max. Allowable Internal Contamination Shall be 15 mg

* Unit Must Be Free Of Moisture (50mg Max.)

* PERFORMANCE SPECIFICATION :

: PKa XITc-cT ₁ -TaPc-dt1	8=C7
: PKa UE(1)	bt1 Rwp ¹
: a@BCo XITc_aTibbdAt1	@DAC ₁ pr
: a@BCo XITc-cT ₁ -TaPc-dt1@PBI	@77
: a@BCo bdQR ¹ (X)M1	A-G1
: WTPc cap buTa B ±-D Z19 1	bt1 Rwp ¹
: PKa_aTibbdT Sa ¹ _8±AT_p9 1	bt1 Rwp ¹

