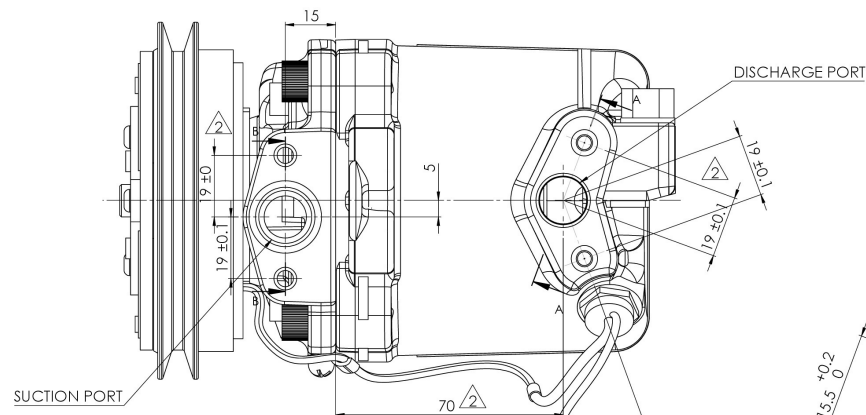
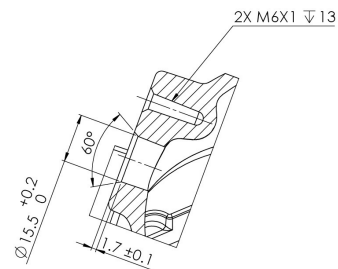


SECTION B-B  
SCALE 1.25:1



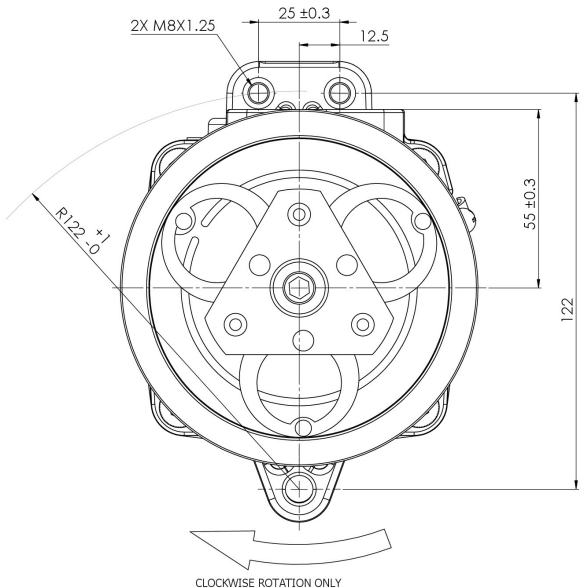
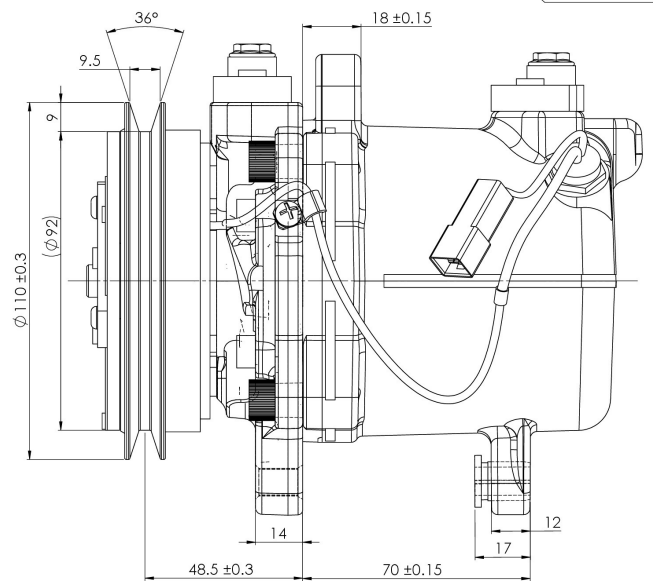
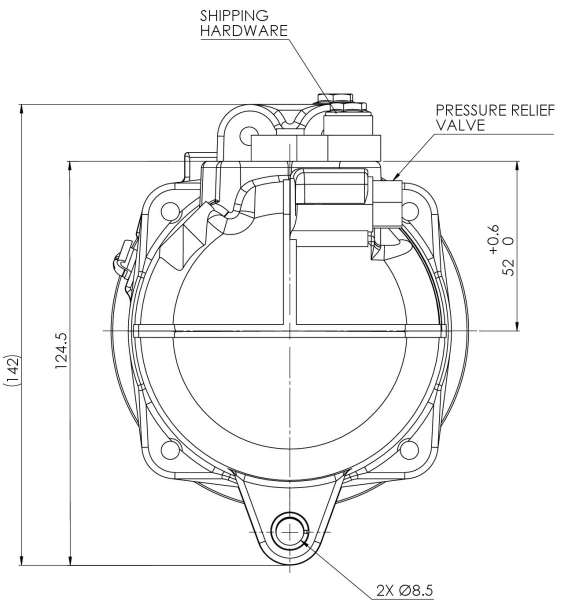
SHIPPING CAPS REMOVED FOR CLARITY IN TOP VIEW



SECTION A-A  
SCALE 1.25:1

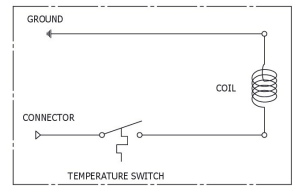


CONNECTOR: DJ7018-6.3-11  
TERMINAL: DJ611-6.3A



COMPRESSOR SPECIFICATIONS		
MODEL	-	QPRV96
DISPLACEMENT	cm <sup>3</sup> /r	96
SPEED RANGE	r/min	800-7800
ROTATION DIRECTION	/	CW
REFRIGERANT	/	R134a
OIL: RFL-100X	cc	200±10
WEIGHT	kg	3.1

CLUTCH SPECIFICATIONS		
RATED VOLTAGE	DC, V	12
BELT PULLEY	N	1 GROOVE
MAX POWER CONSUMPTION	W	42MAX@20°C
STATIC TORQUE	Nm	≥25
ROTATION DIRECTION		CW
WEIGHT	kg	



GAD GENERATED DRAWINGS, DO NOT MANUALLY UPDATE		M/SI (SIC) 07-REV006 SPECIFIED DIMENSIONS ARE FROM INTERFERENCE AND TOL PER ASME Y14.5-2009		
DATE:	DESIGNED:	DATE:	DESIGNED:	
FIRST ANGLE PROJECTION				TITLE: QPRV96 COMPRESSOR ASSY ALT 1 GROOVE Ø110 12V LEAF
SCALE: 1:2	D		COD.015083	2
				SHEET 1 OF 1