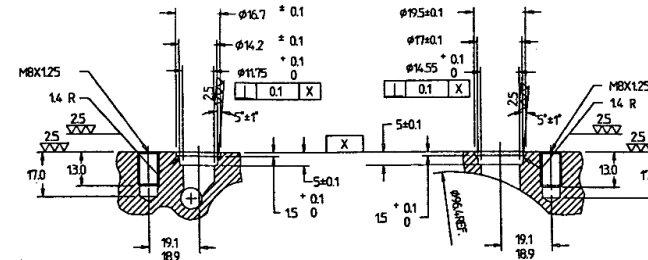


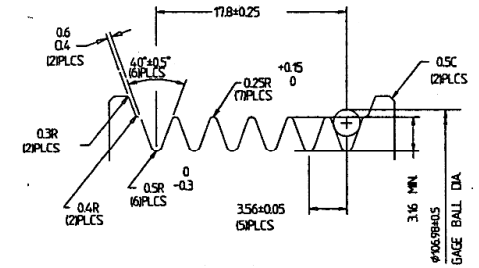
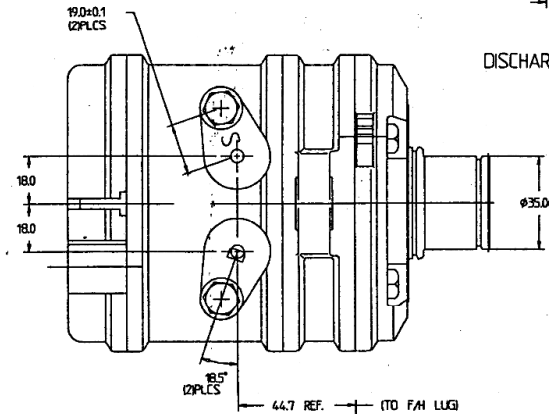
SPECIFICATION S

COMPRESSOR TYPE	SWASH PLATE
DISPLACEMENT	110 CC/REV.
WEIGHT (CLUTCH INCLUDED)	4.35 Kg
LUBRICANT	150mlcc LICON 244 OR EQUIV.
GAS LEAK RATE	LESS THAN 113 g/YEAR @ 10Kg/CmG
ROTATION DIRECTION	CLOCKWISE
REFRIGERANT	R-134a
PERMISSIBLE MOUNTING ANGLE	± 30°
CONTINUOUS ALLOWABLE RPM	800-7000 RPM
PRESSURE DURABILITY	HIGH PRESSURE SIDE 75.0 Kg/CmG ²
RATED VOLTAGE	12 V DC
POWER CONSUMPTION	36W MAX. AT 20°C
MIN. ENGAGEMENT VOLTAGE	7.5 V DC AT 20°C

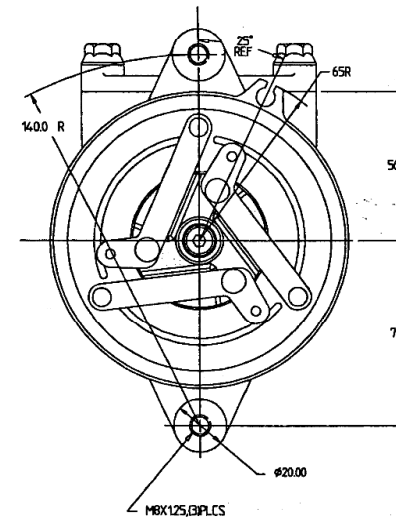
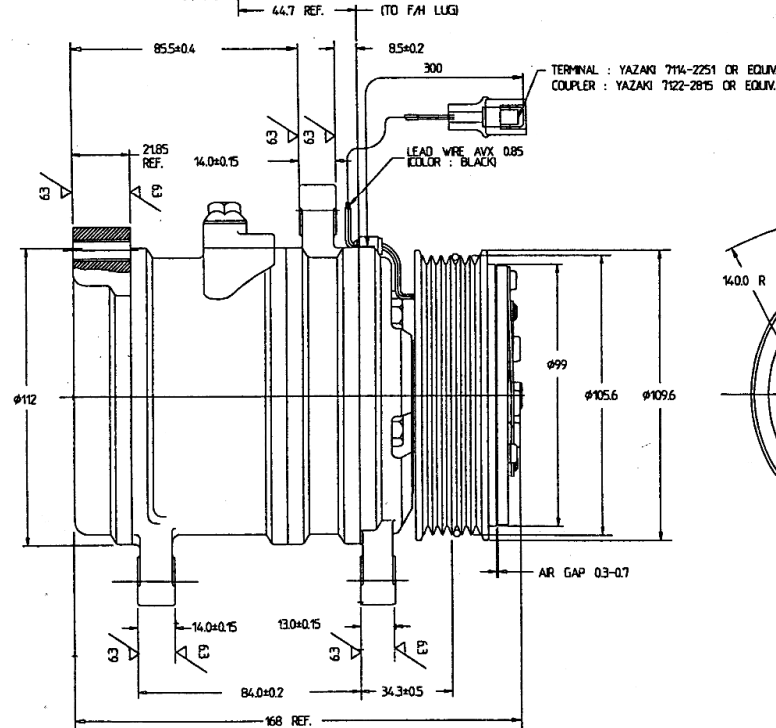
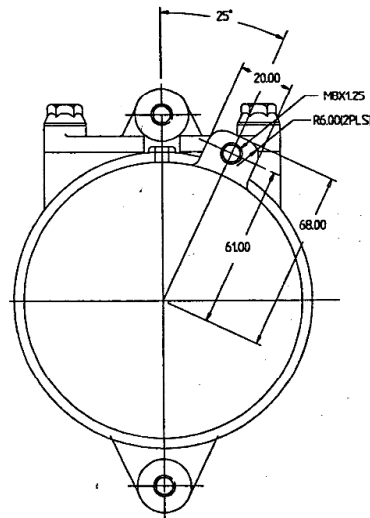


DISCHARGE FITTING

SUCTION FITTING



GROOVE DETAIL
SCALE 4:1



CODE:015015.12V HARRISON SP10-PV6 12V