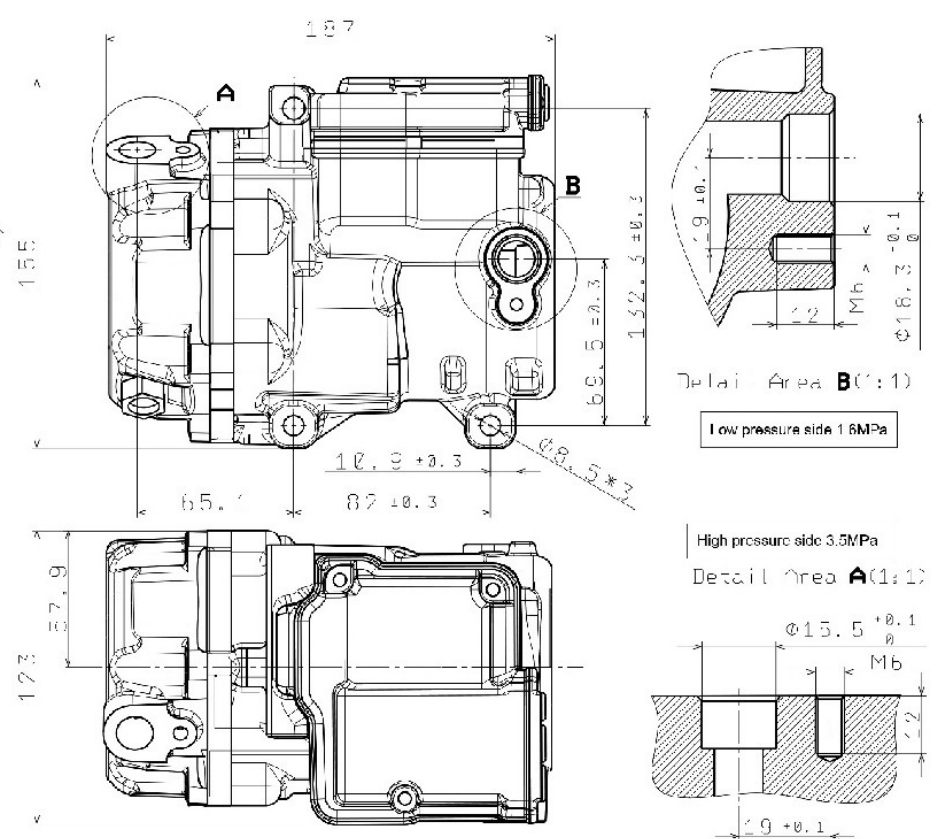
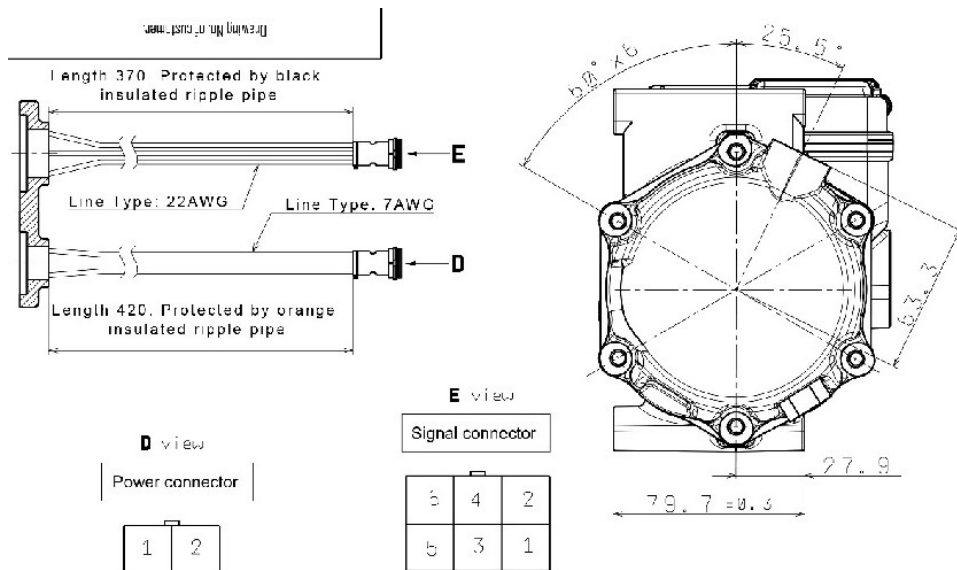


015094FS COMPRESSORE ELETTRICO 38V-60V 18CC R134a  
ELECTRIC COMPRESSOR 38V-60V 18CC R134a



Definition of external port				
Part name	Pin	Color	Definition of port	Name of Matching part
DJ70219Y-7.8-10	1	Red	48V DC Positive pole input voltage 38V-60V DC	DJ70219Y-7.8-20
	2	Black	16V DC Negative pole input	
DJ7061Y-2-10	1	Red	Speed: 3350R/Min Connect Pin 1 and Pin 2	DJ7061Y-2-20
	2	Black	GND	
	3	Yellow	Speed: 4500R/Min Connect Pin 3 and Pin 2	
	4	Green	Speed: 3750R/Min Connect Pin 4 and Pin 2	
	5	NC		
	6	NC		

	Performance parameter				
	Rpm	2000	3000	4000	5000
Cooling capacity(kW)	1.16	1.81	2.48	3.16	3.86
Consuming watt(kW)	0.45	0.68	0.87	1.11	1.40
COP(Avg)	2.54	2.73	2.83	2.83	2.74
Test condition	Ambient temperature 35°C, Suction temperature 17°C, Liquid temp. entering expansion valve 47°C, Condensation temperature 55°C, Evaporation /°C.				

Information	
Displacement	18CC
Refrigerant	R134a
Refrigerant oil	RL68II/100ml
Voltage range	38-60V
Speed	3350/3750/4500rpm
Size	187*123*155mm