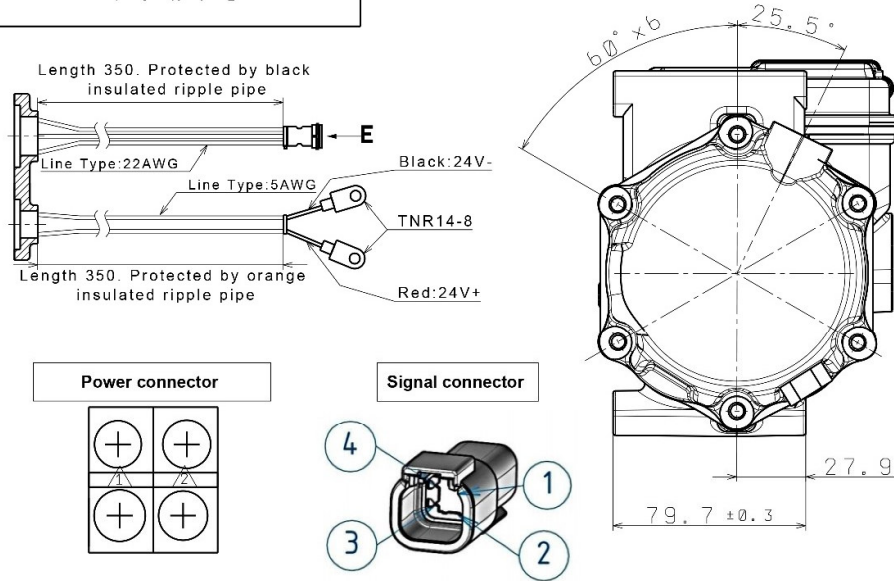


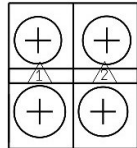
015075FS

COMPRESSORE ELETTRICO 20V-31V 18CC R134a  
ELECTRIC COMPRESSOR 20V-31V 18CC R134a

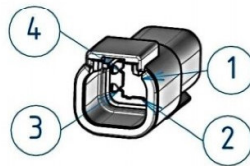
Drawing No. of customer:



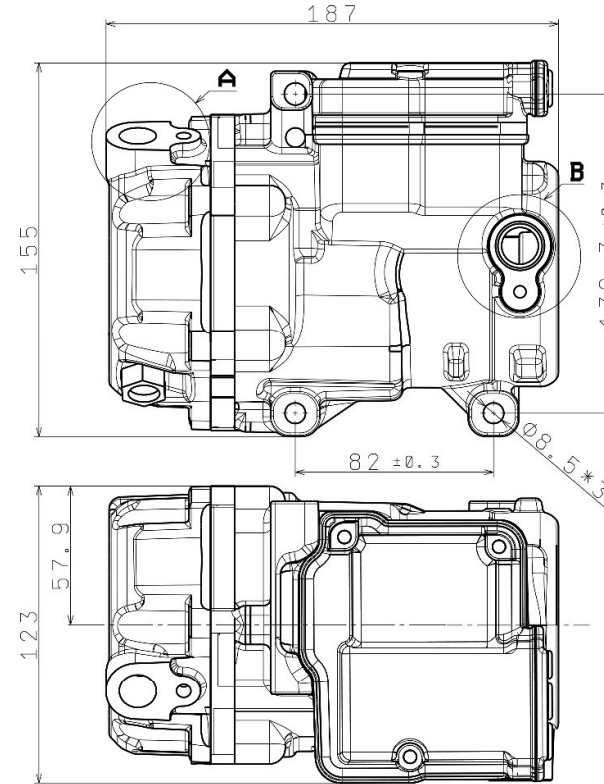
Power connector



Signal connector



| Definition of external port |     |        |   |                       |
|-----------------------------|-----|--------|---|-----------------------|
| Part name                   | Pin | Color  | Definition of port                            | Name of Matching part |
| TD100-25.0-2*2p             | 1   | Red    | 24V DC Positive pole input voltage 20V-31V DC | TNR14-8               |
|                             | 2   | Black  | 24V DC Negative pole input                    |                       |
| DTM04-4P                    | 1   | Red    | Speed: 2000R/Min Connect Pin 1 and Pin 2      | DTM06-4S              |
|                             | 2   | Black  | Common  |                       |
|                             | 3   | Yellow | Speed: 6000R/Min Connect Pin 3 and Pin 2      |                       |
|                             | 4   | Green  | Speed: 4000R/Min Connect Pin 4 and Pin 2      |                       |
|                             | 5   | NC     |   |                       |
|                             | 6   | NC     |   |                       |



Detail Area B(1:1)

Low pressure side 1.6MPa

High pressure side 3.5MPa

Detail Area A(1:1)

| Performance parameter |   |      |      |      |      |
|-----------------------|---|------|------|------|------|
| Rpm                   | 2000  | 3000 | 4000 | 5000 | 6000 |
| Cooling capacity(KW)  | 1.16  | 1.81 | 2.48 | 3.16 | 3.85 |
| Consuming watt(KW)    | 0.48  | 0.68 | 0.90 | 1.15 | 1.44 |
| COP(Avg)              | 2.43  | 2.63 | 2.74 | 2.75 | 2.65 |
| Test condition        | Ambient temperature 35°C, Suction temperature 17°C, Liquid temp. entering expansion valve 47°C, Condensation temperature 55°C, Evaporation 7°C. |      |      |      |      |

| Information     |               |
|-----------------|---------------|
| Displacement    | 18CC          |
| Refrigerant     | R134a         |
| Refrigerant oil | RL68H/100ml   |
| Rated voltage   | 24V           |
| Speed range     | 2000-6000rpm  |
| Size            | 187*123*155mm |