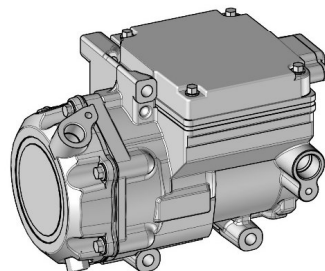
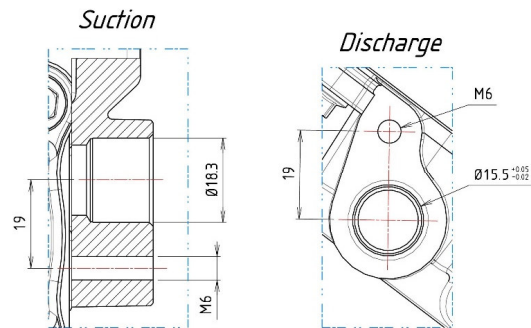
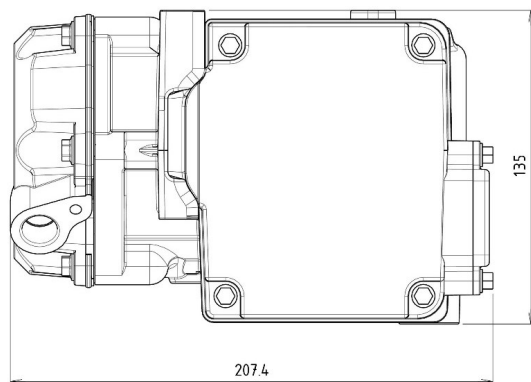
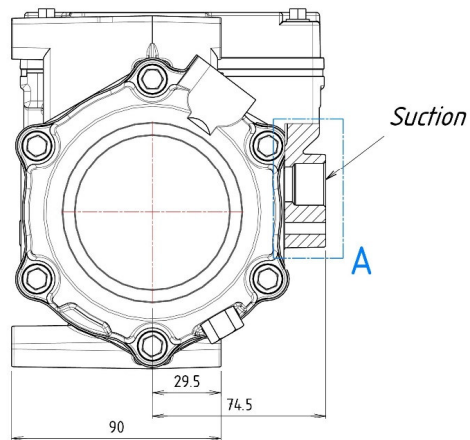
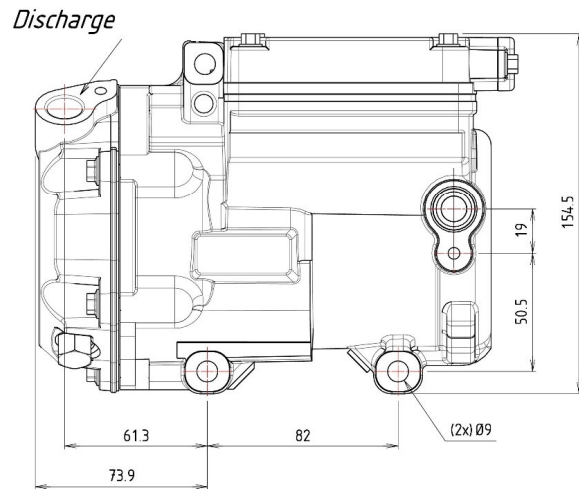
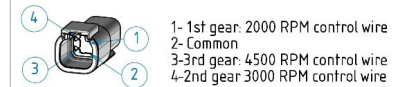


015074FS COMPRESSORE ELETTRICO 10V-16V 18CC R134a
ELECTRIC COMPRESSOR 10V-16V 18CC R134a



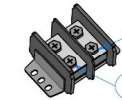
Electric connexion

Signal connector - Deutsch DTM04-4P



- 1- 1st gear: 2000 RPM control wire
- 2- Common
- 3- 3rd gear: 4500 RPM control wire
- 4- 2nd gear: 3000 RPM control wire

Power connector - 2x Tabs ring M8



- 1- 12V DC positive pole
- 2- 12V DC negative pole

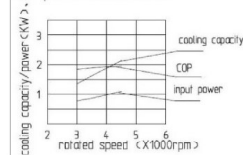
Compressor parameters

| | |
|----------------|--------------------|
| Oil | FVC 68D 100ml |
| Refrigerant | R134a |
| Rotation speed | 2000-3000-4500 RPM |
| Voltage range | DC 10V-16V |
| Working T° | -30°C / 100°C |

Compressor performance

Test condition : Ps=0.30MPa(abs) Pd=1.57MPa(abs)
super heating 10° super cooling 5°
refrigerant : R134a

performance curve



Electric diagram

