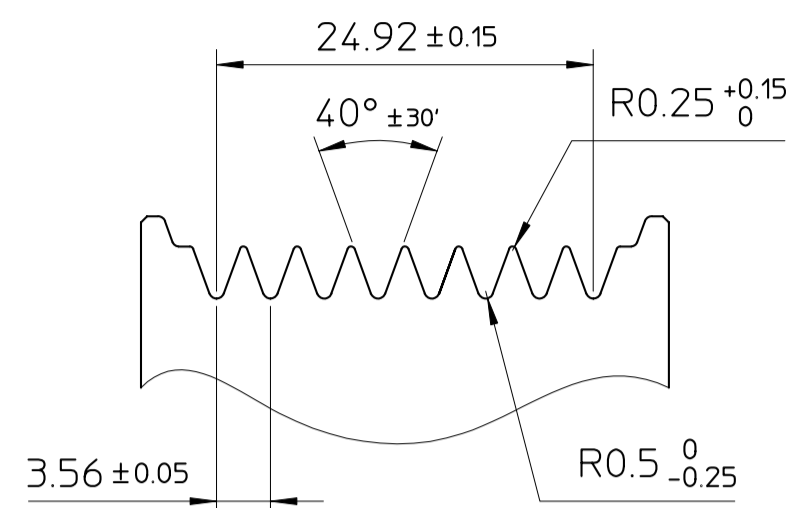
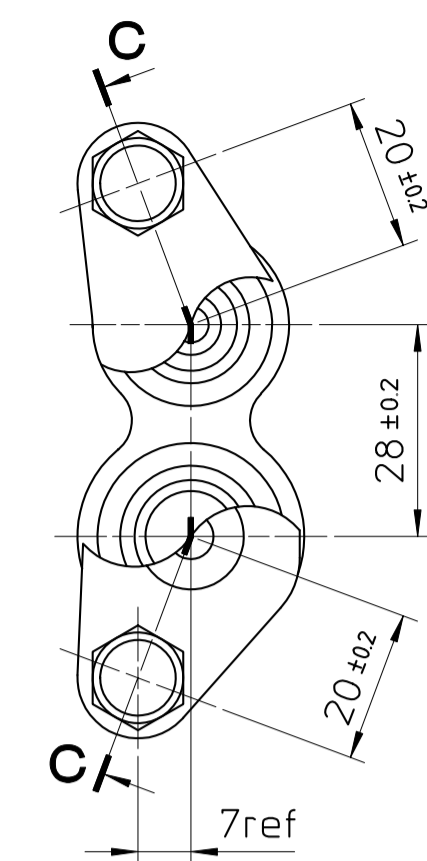


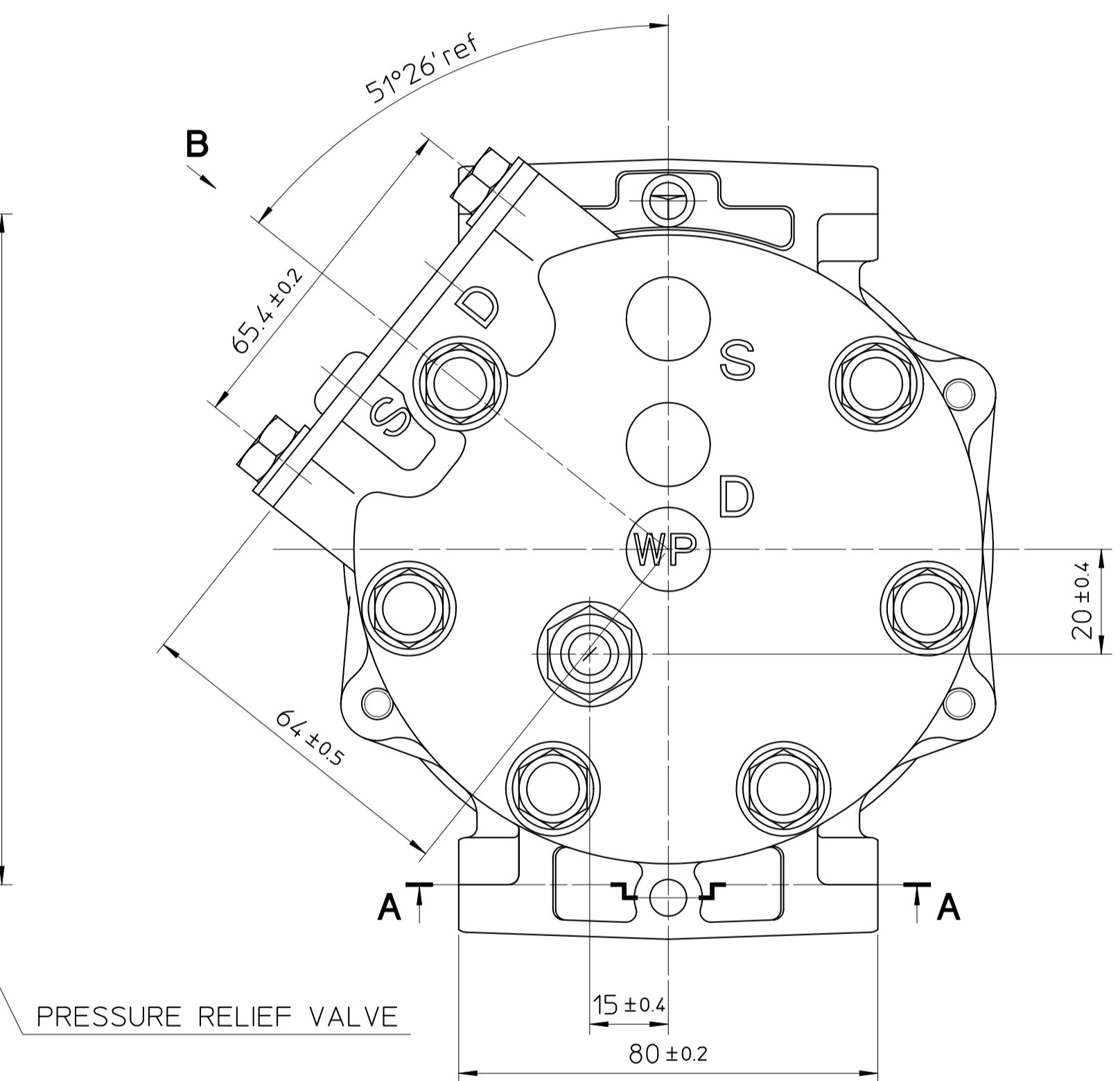
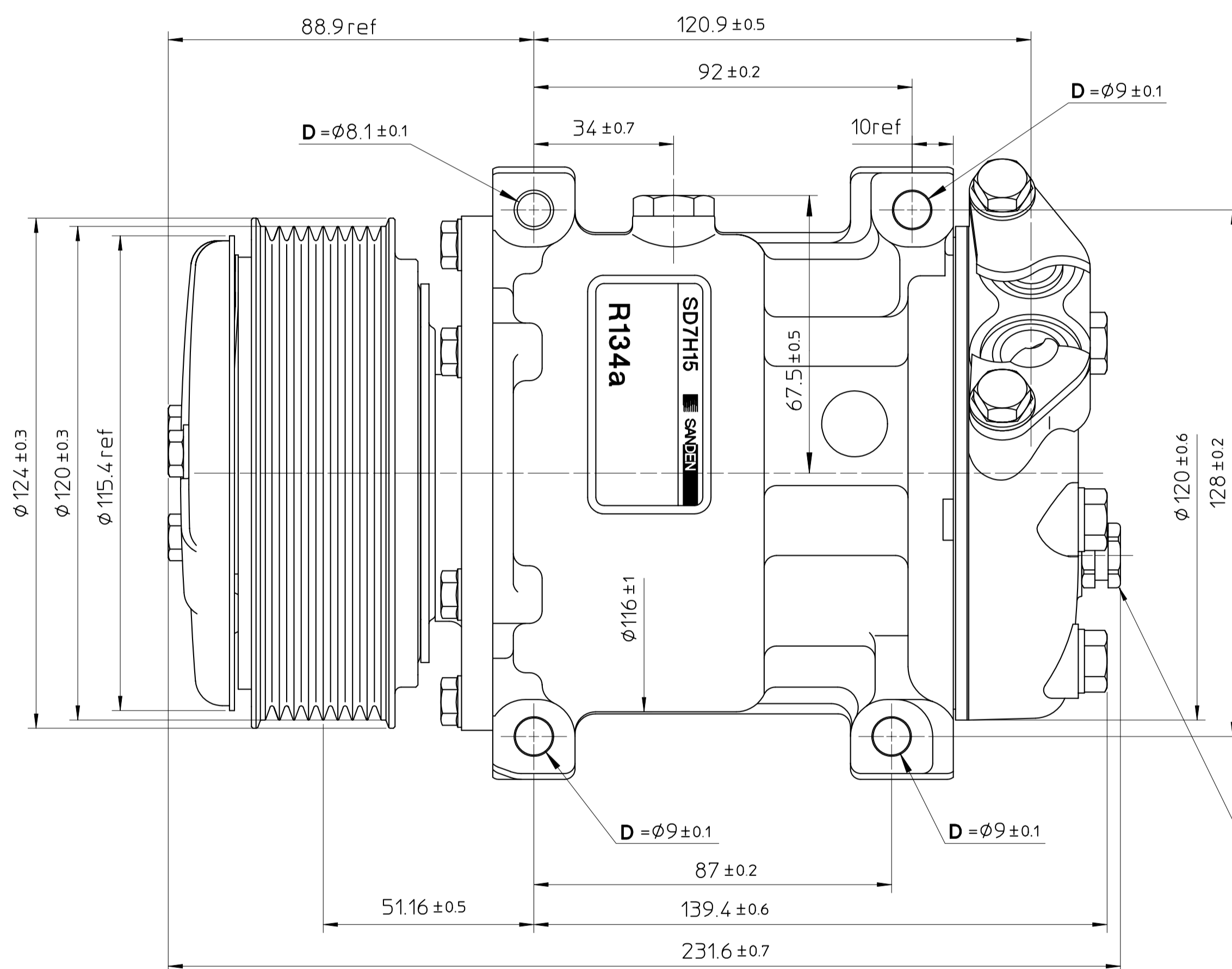
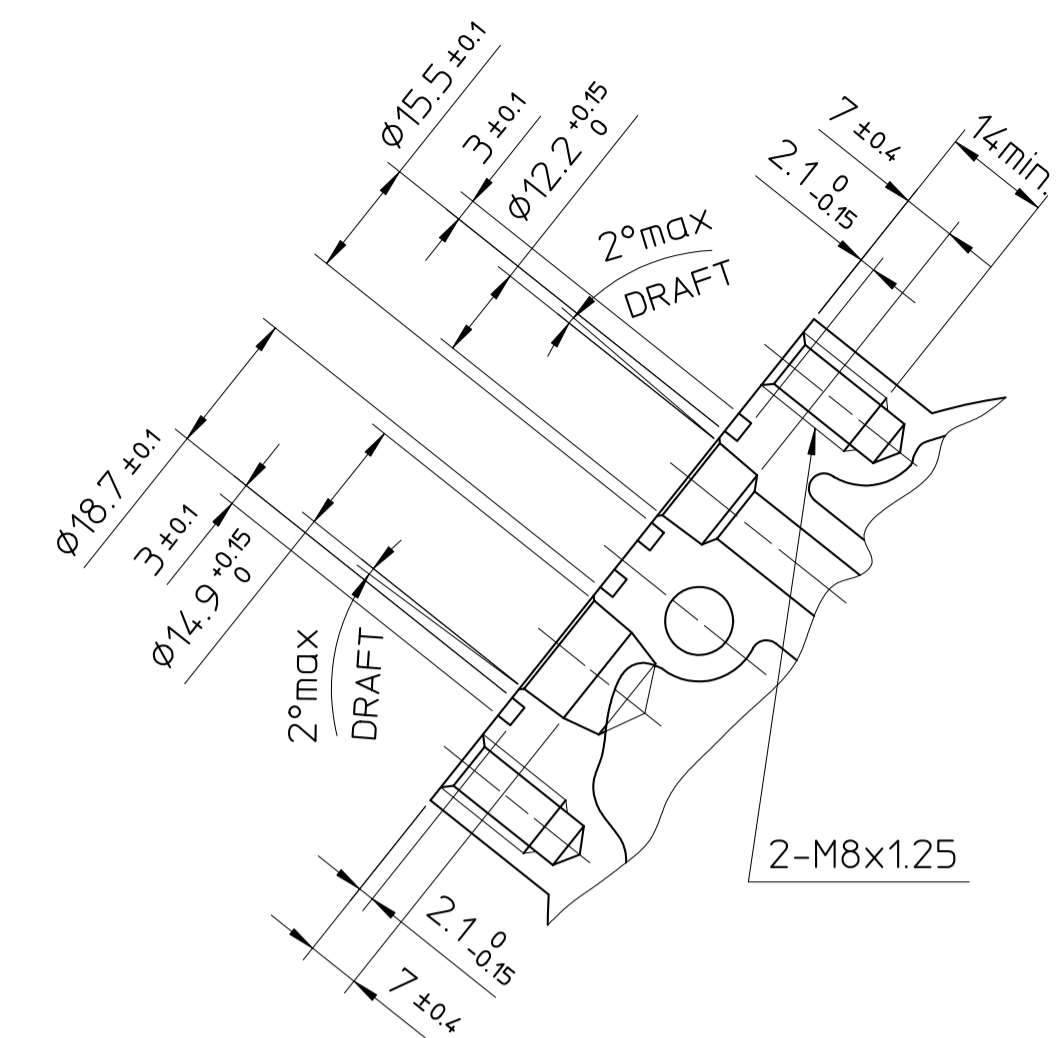
**DETAIL OF ROTOR GROOVE (2:1)**



**VIEW.B**



**PARTIAL SECT. C-C**



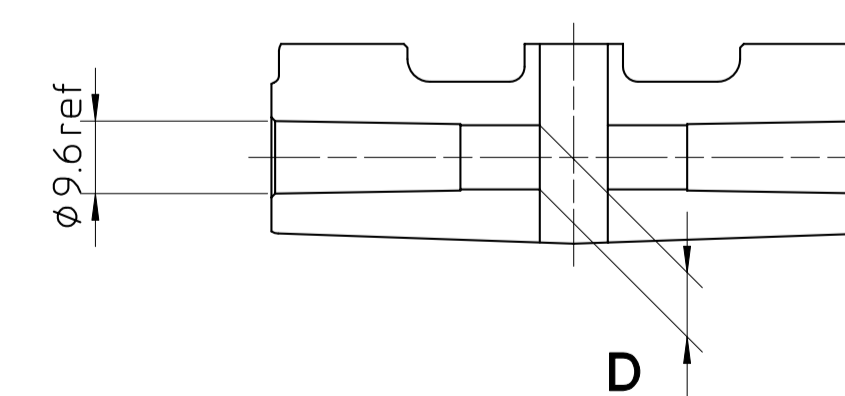
**COMPRESSOR SPECIFICATIONS**

BORE	Ø29.3	mm
STROKE	32.8	mm
NUMBER OF CYLINDERS	7	
DISPLACEMENT PER REVOLUTION	154.9	cm <sup>3</sup> /rev.
MAXIMUM ALLOWABLE CONTINUOUS SPEED	6000	r.p.m.
MAXIMUM DOWNSHIFT SPEED	7000	r.p.m.
REFRIGERANT	R134a	
OIL	SP-10 OR EQUIVALENT	
OIL CHARGE	240	cm <sup>3</sup>
ROTATION (CLUTCH SIDE VIEW)	CLOCKWISE	
WEIGHT		kg

**CLUTCH SPECIFICATIONS**

RATED VOLTAGE	DC 12 V
MINIMUM BREAKAWAY TORQUE	34.3 N·m
MINIMUM ENGAGEMENT VOLTAGE	DC 7.5 V
MAXIMUM POWER CONSUMPTION	43 W
MAXIMUM ALLOWABLE CONTINUOUS SPEED	6000 r.p.m.
MAXIMUM DOWNSHIFT SPEED	7000 r.p.m.
BELT TYPE	PV TYPE
PULLEY DIAMETER	Ø120 mm
WEIGHT	kg

**PARTIAL SECT. A-A**



**NOTE**

PULLEY BEARING IS EP TYPE.

NO.	REVISION RECORD	BY	DATE	MATERIAL	PART NO.	NAME	COMPRESSOR
				THIRD ANGLE PROJECTION	SCALE 1:1	MODEL	SD7H15WP8203
				DESIGNED BY K.Takeuchi	DATE 20 Jul 2004	DRAWING NO.	8203 - 6000
				CHECKED BY Y.Uchiyama	DATE 20 Jul 2004		
				APPROVED BY M.Iida	DATE 21 Jul 2004		