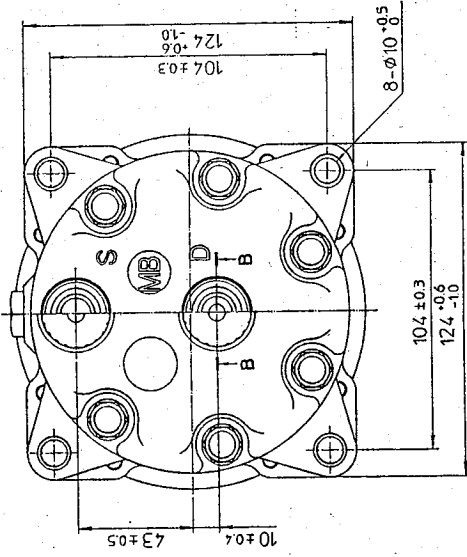
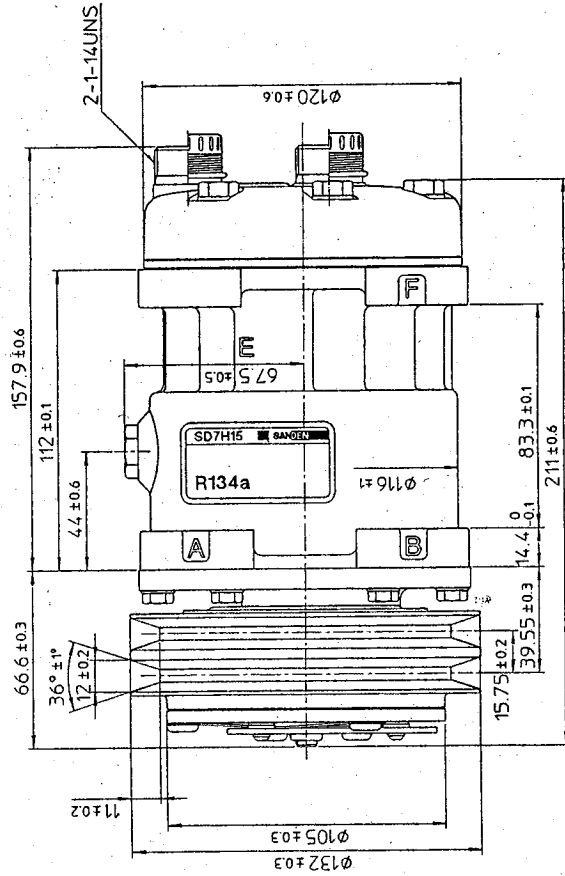
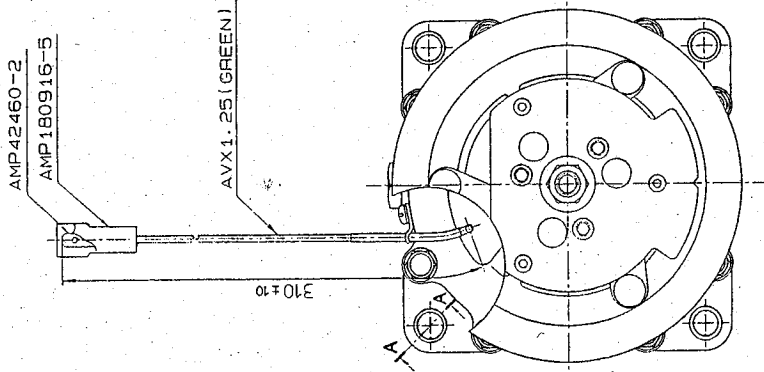
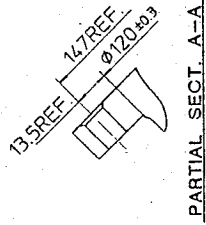
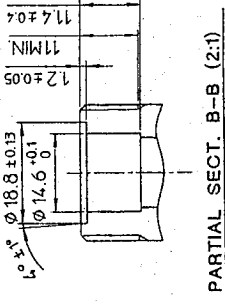


DIA VIA

2/2



COMPRESSOR SPECIFICATIONS

BORE	Ø 29.3	mm (1.15 in.)
STROKE	37.8	mm (1.49 in.)
DISPLACEMENT PER REVOLUTION	154.9	cc (rev.) 9.5 cu in. (rev.)
NUMBER OF CYLINDERS	7	
MAXIMUM ALLOWABLE R.P.M.	7000	r.p.m.
MAXIMUM ALLOWABLE CONTINUOUS R.P.M.	6000	r.p.m.
REFRIGERANT	R-134a	
Oil (SP-20)	135	cc (1.6 fl.oz.)
WEIGHT		kg (lb)

CLUTCH SPECIFICATIONS

RATED VOLTAGE	DC 24V	
BREAKAWAY TORQUE	3.5	kg-m (25.3 ft-lb)
MINIMUM ENGAGEMENT VOLTAGE	16	V MAX.
POWER CONSUMPTION	42	W (CU)
MAXIMUM ALLOWABLE R.P.M.	7000	r.p.m.
MAXIMUM ALLOWABLE CONTINUOUS R.P.M.	6000	r.p.m.
BELT TYPE	A	TYPE
PULLEY DIAMETER	Ø 132	mm (5.2 in.)
WEIGHT		kg (lb)

MATERIAL		PART NO.	7871	NAME	COMPRESSOR
DESIGN BY	W. B. G. / 1/72	SCALE	1:1		
CHECKED BY	H. Chappard / 1/72	DATE	11 DEC 1972	MODEL	SD7H15MB7871 V
CREATED BY	J. Imabayashi / 1/72	DATE	11 DEC 1972	DRAWING NO.	7871-6000
REVISION RECORD					
NO.					