

MASI CONDITIONERS

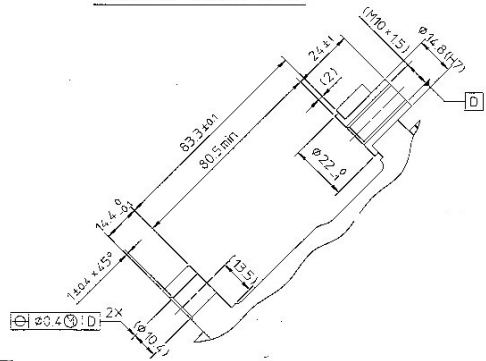
CODE: 015034.12V SD7V16 Sanden Compressor

1233

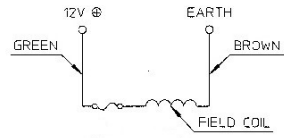


Tab:	CAR & LCV
Make:	VOLKSWAGEN
Model:	
Engine Type:	2.0L
P OR D:	PETROL
Engine NO:	N/A
Year:	Jan 01>
OEM NO:	1J0 820 803 K
Sanden OEM NO:	1233
Product:	COMPRESSOR
Product Type:	SD7V16
Rotor:	120
Type:	PV6
Volt:	12
Cyl Head:	VQS
Mount:	EM
Refrigerant:	R134a
Oil QTY:	135cc
Oil Type:	SP10
Replacement:	1278
Remark:	OBSOLETE

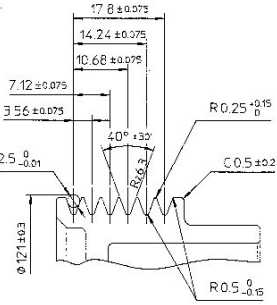
PARTIAL SECT. A-A



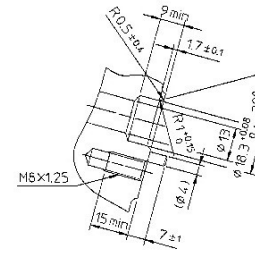
CIRCUIT DIAGRAM



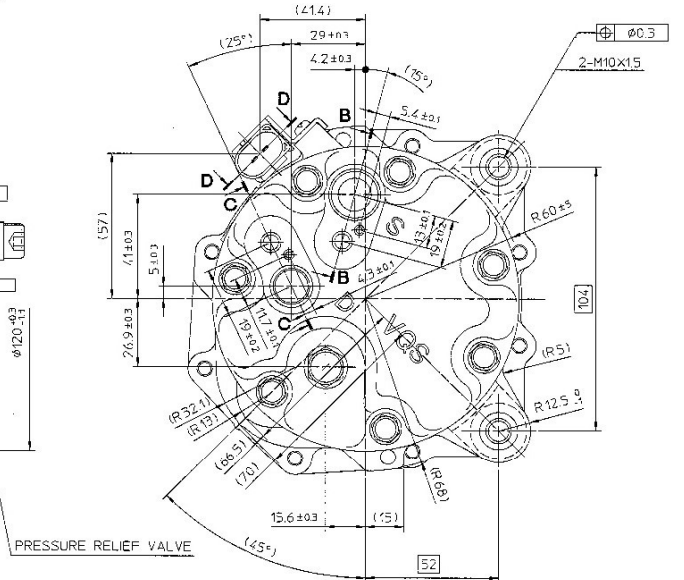
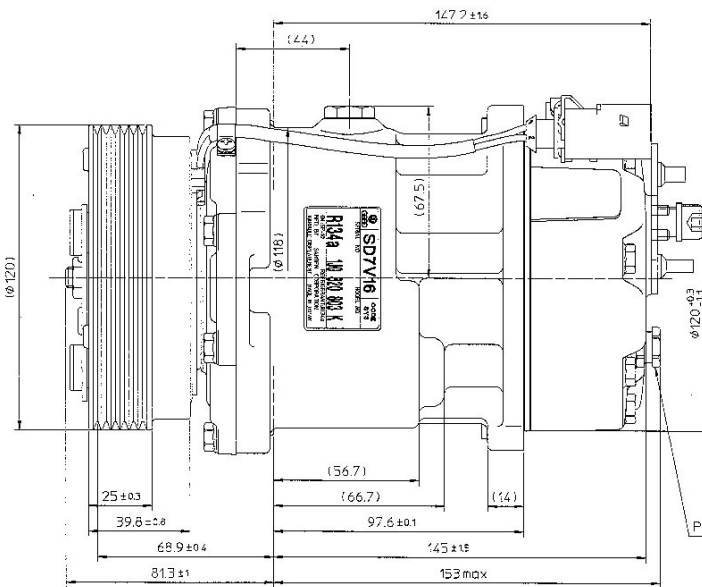
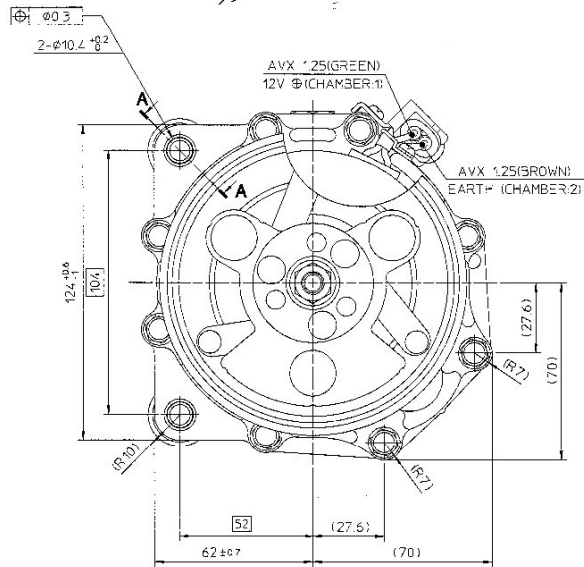
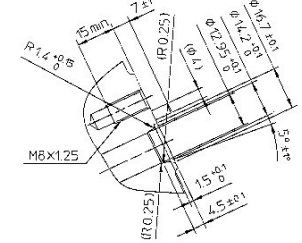
DETAIL OF GROOVE (2:1)



PARTIAL SECT. B-B



PARTIAL SECT. C-C



COMPRESSOR MOUNTING ANGLE (1:2)

PARTIAL SECT. D-D

