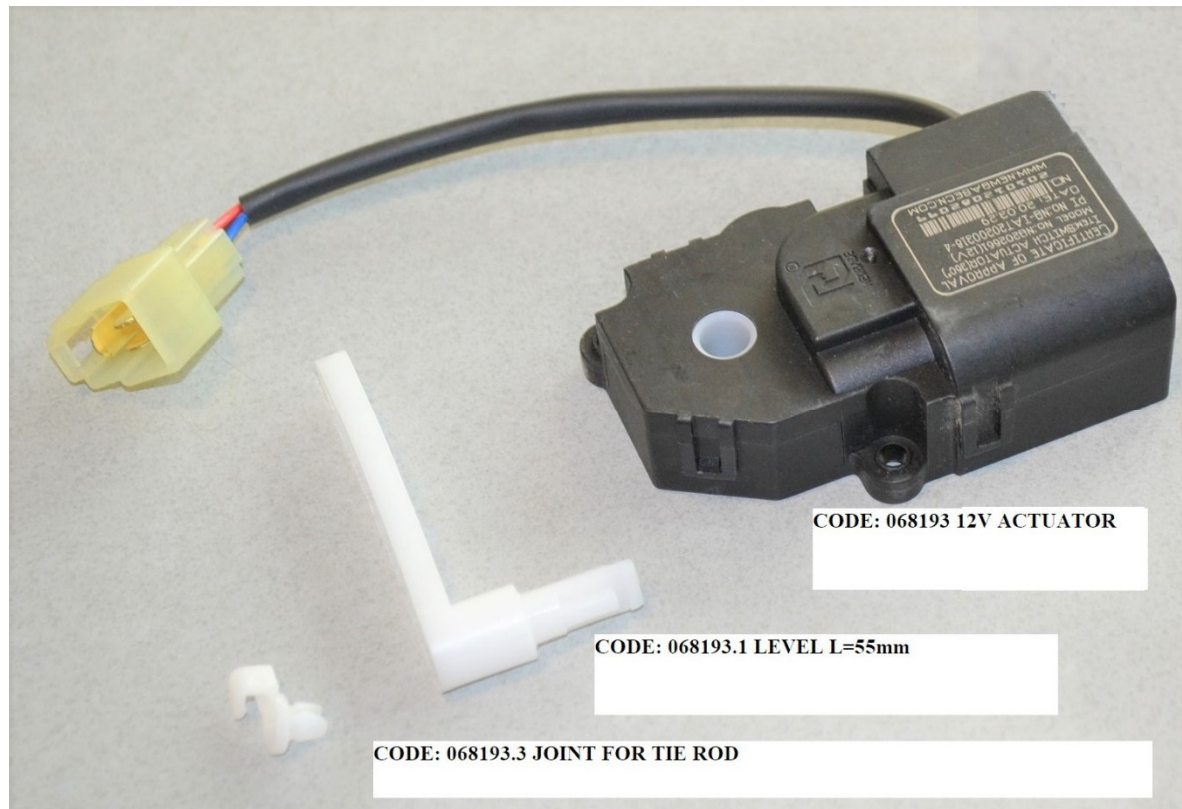
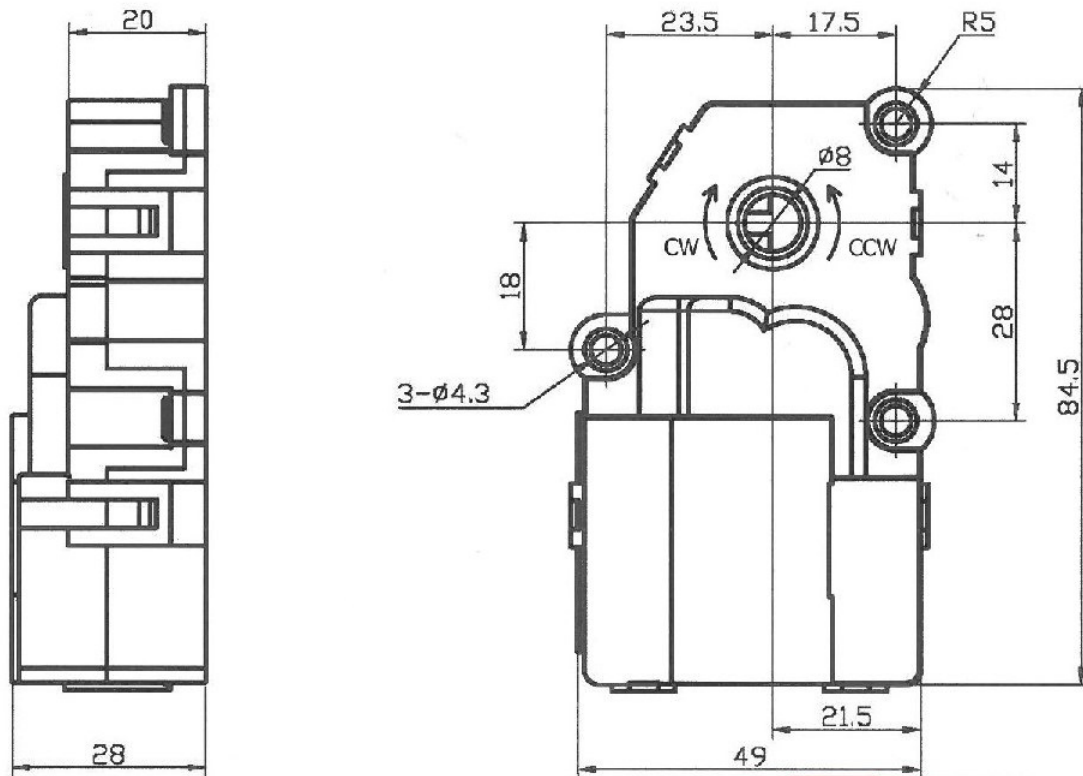


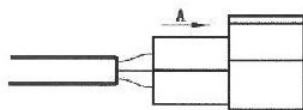
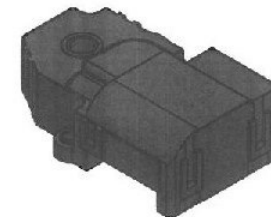
| | |
|----------|---|
| 068193 | ATTUATORE 12V 3 FILI - 12V 3 WIRE ACTUATOR |
| 068197 | ATTUATORE 24V 3 FILI - 24V 3 WIRE ACTUATOR |
| 068193.1 | LEVA X ATTUATORE L=55mm - LEVER X ACTUATOR L = 55mm |
| 068193.3 | GIUNTO PER TIRANTE DM.3 - JOINT FOR TIE ROD DM.3 |



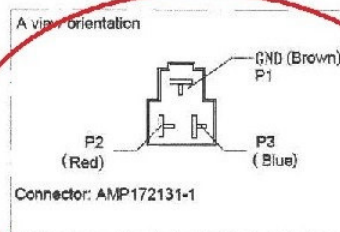


Technical data

| | |
|-----------------------|-----------------|
| Power supply | 12VDC |
| Power consumption | 3W |
| Current absorption | 125 mA max |
| Direction of rotation | CW/CCW |
| Angle of rotation | 360° continuous |
| Torque | 60 Ncm |
| Rotation speed | 15 rpm |
| Locked torque | >160 Ncm |
| Locked current | 300 mA max |
| Noise level | 45 dB(A) max |
| Ambient temperature | -30°C / +80°C |
| Storage temperature | -40°C / +85°C |
| Life | 500.000 cycles |
| Weight | 94 g |

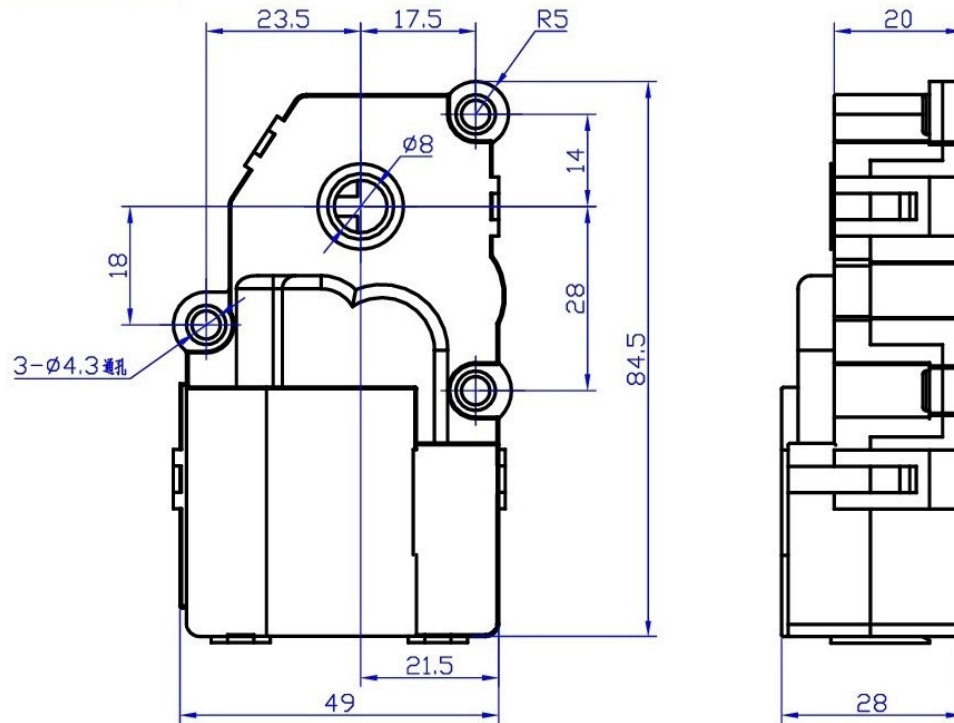


Power on P2 with +12V, actuator rotates CW continuously until be locked
 Power on P3 with +12V, actuator rotates CCW continuously until be locked



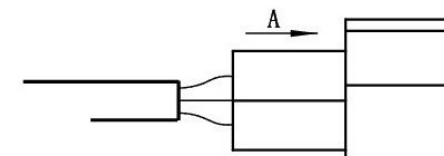
P2 - P1 12V
 rotazione in senso orario

P3 - P1 12V
 rotazione in senso antiorario

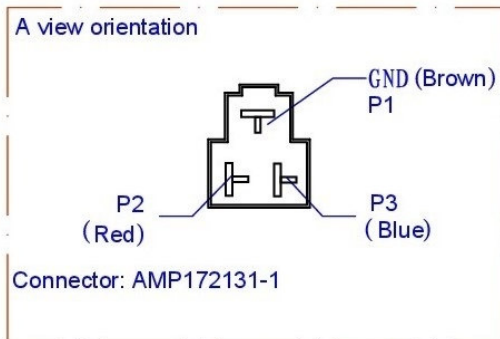


| Technical Data | |
|------------------------|----------------------------|
| Power supply | DC24V |
| Power consumption | 3W |
| Current | Max. 125mA |
| Electronic connection | Max. 1m*0.5mm ² |
| Direction of rotation | CW/CCW |
| Angle of rotation | 360° |
| Torque | 6Kgf. cm |
| Running time | 4±1 s/rpm |
| Locked torque | >16Kgf. cm |
| Locked current | Max. 300mA |
| Noise level | Max. 45DB (A) |
| Ambient temperature | -30°C-80°C |
| Storage temperature | -40°C-85°C |
| Life | Max. 500000cycle |
| Dimensions | 84.5*49*28mm |
| Weight | 94g |
| Quality certifications | QS9000/ISO9001 |

Power on P2 with +24V, actuator rotates CW continuously until be locked
 Power on P3 with +24V, actuator rotates CCW continuously until be locked



Wire length = 15cm



Version 24 Volt

Item Name

360
ACTUATOR

Part NO.

068197