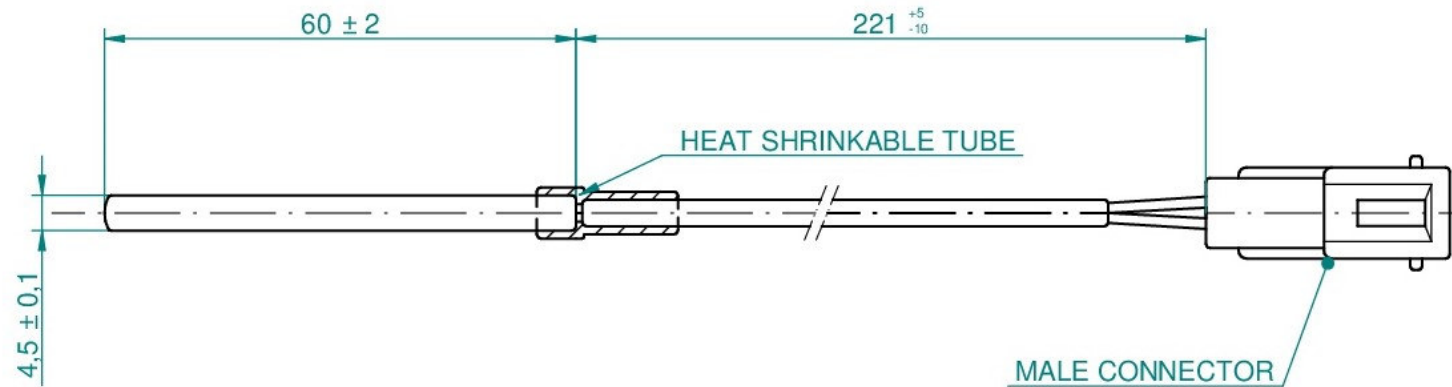


068185

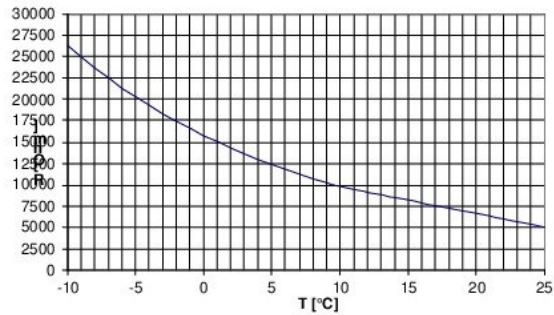
ANTIFROST TEMPERATURE SENSOR-NTC 5k



AMP 174460-1 / WHITE

MALE FASTON MULTI LOCK SERIES 70-173645-1

Sensor NTC 5kΩ / 25°C



Technical Data

Sensor characteristics	NTC 5kΩ ± 5% / 25°C
Operating temperature	-40°C +85°C
Rated power at 25°C	Max 10 mW
Thermal time constant at 25°C	Max 16 sec.