

Code: 029038 HDL Electric heater version (PTCs) con Ric.

(IT)-Pannello di controllo per sistemi HVAC con riscaldatore elettrico PTC.

(GB)-Control panel for HVAC systems with PTC electric heater.

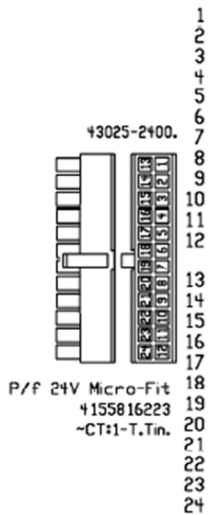
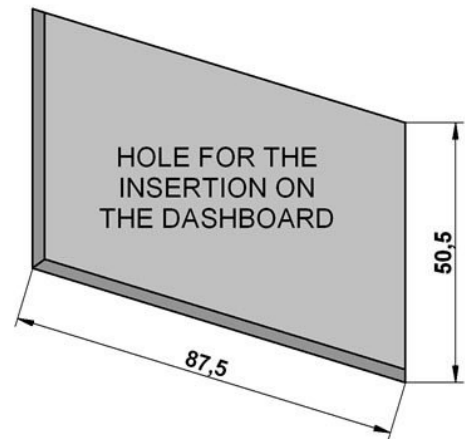
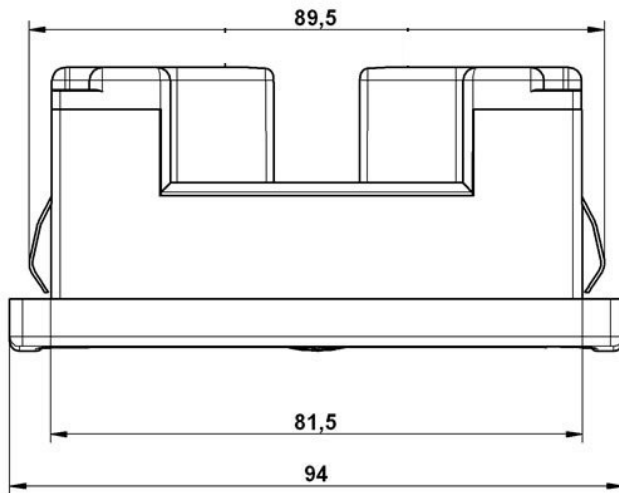
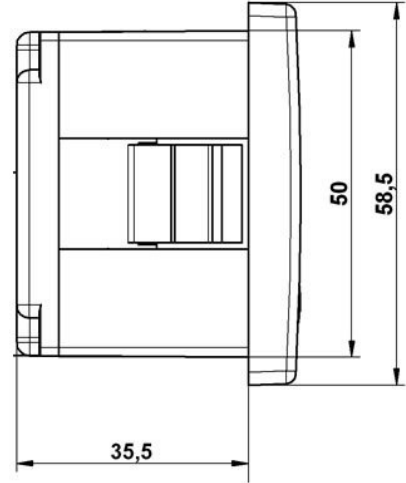


Electronic Climate System

Summary

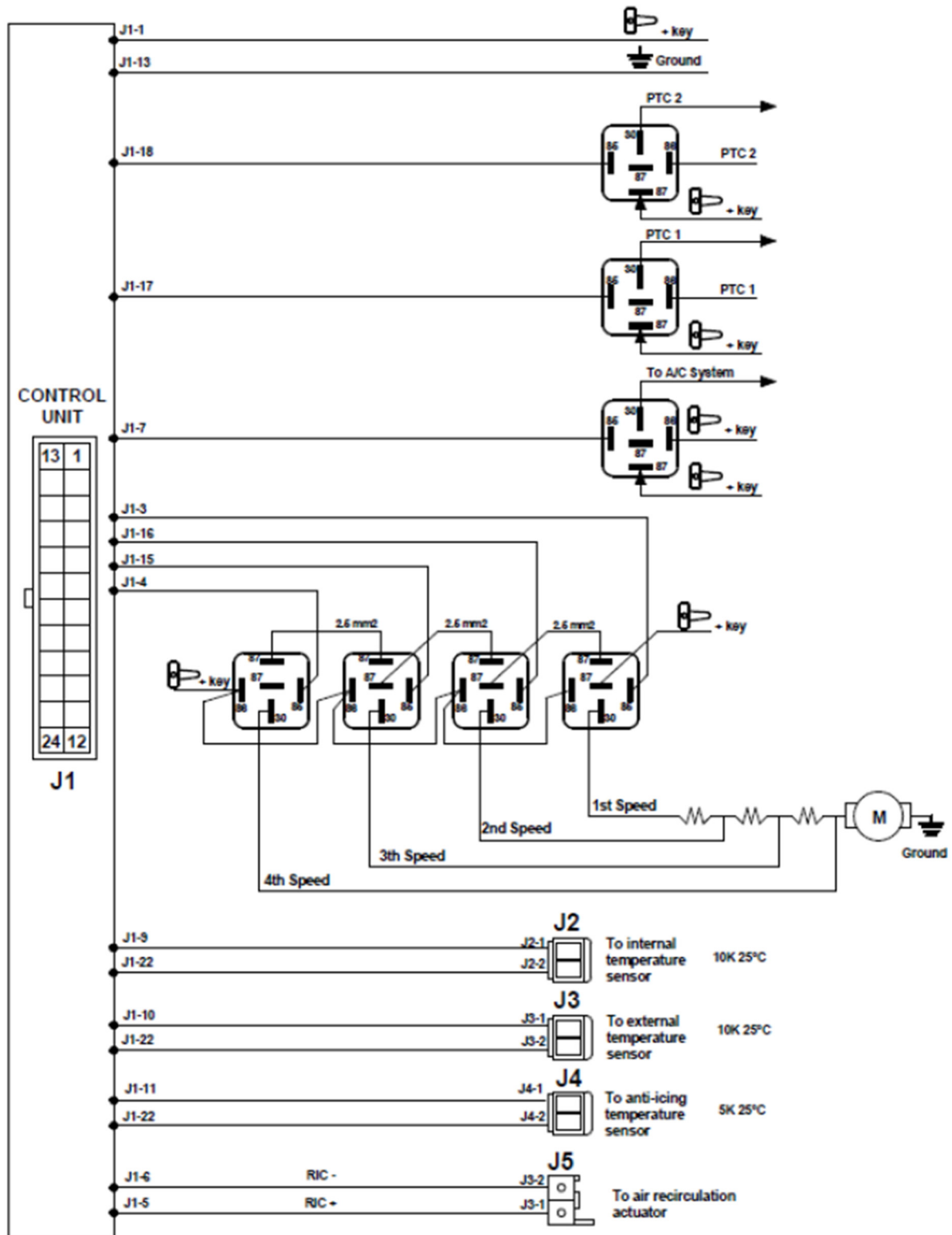
1.	HDL Climate Controller.....
2.	Set point temperature.....
3.	AC compressor control
4.	Blower speed control
5.	Internal temperature sensor.....
6.	External temperature sensor
7.	Mixed air temperature sensor (not used)
8.	Feedback signal from the recirculation actuator (not used).....
9.	Operating mode.....
9.1	Automatic mode.....
9.2	Defrost mode
9.3	Manual mode.....
9.4	Water valve calibration mode (not used in electric heater version).....
9.5	Diagnostic mode
9.5.1	Water valve control (electric PTCs heater)
9.5.2	AC output control
9.5.3	Blower speed control
9.5.4	Internal air temperature sensor control.....
9.5.5	External air temperature sensor control
9.5.6	Diagnostic mode exit.....
9.6	Programming mode.....
10.	Temperature format.....
11.	Temperature sensors
12.	Wiring diagram
13.	HEATING functionality.....

FORO PER L'INERIMENTO SUL CRUSCOTTO
HOLE FOR THE INSERTION ON THE DASHBOARD



Connettore 24 vie per comando HDL

SCHEMA ELETTRICO – ELECTRONIC CLIMATE SYSTEM



MASI

CONDITIONERS

Via A.Gramsci, 20/A – 40062 Molinella (BO)

Tel : +39.051.88.12.27 Fax: +39.051.690.00.94

www.masicondioners.com e-mail info@masicondioners.com