

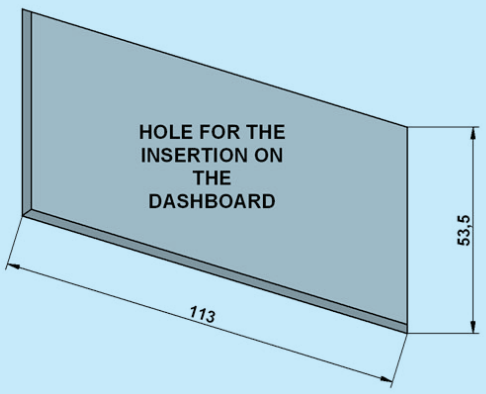
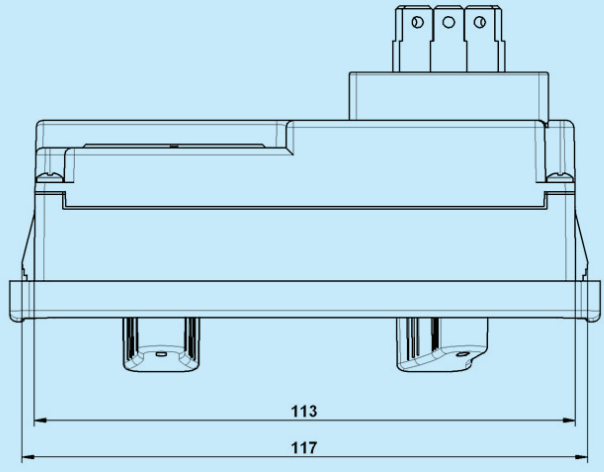
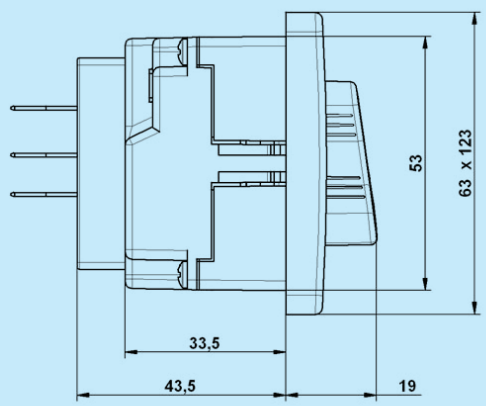
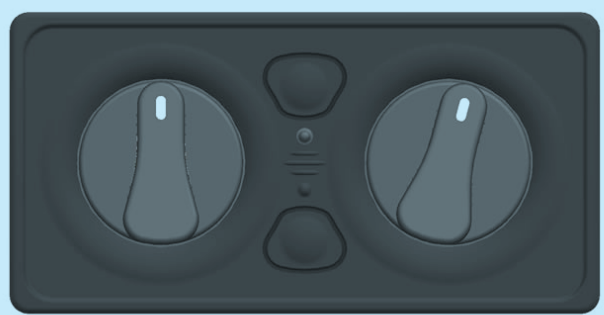


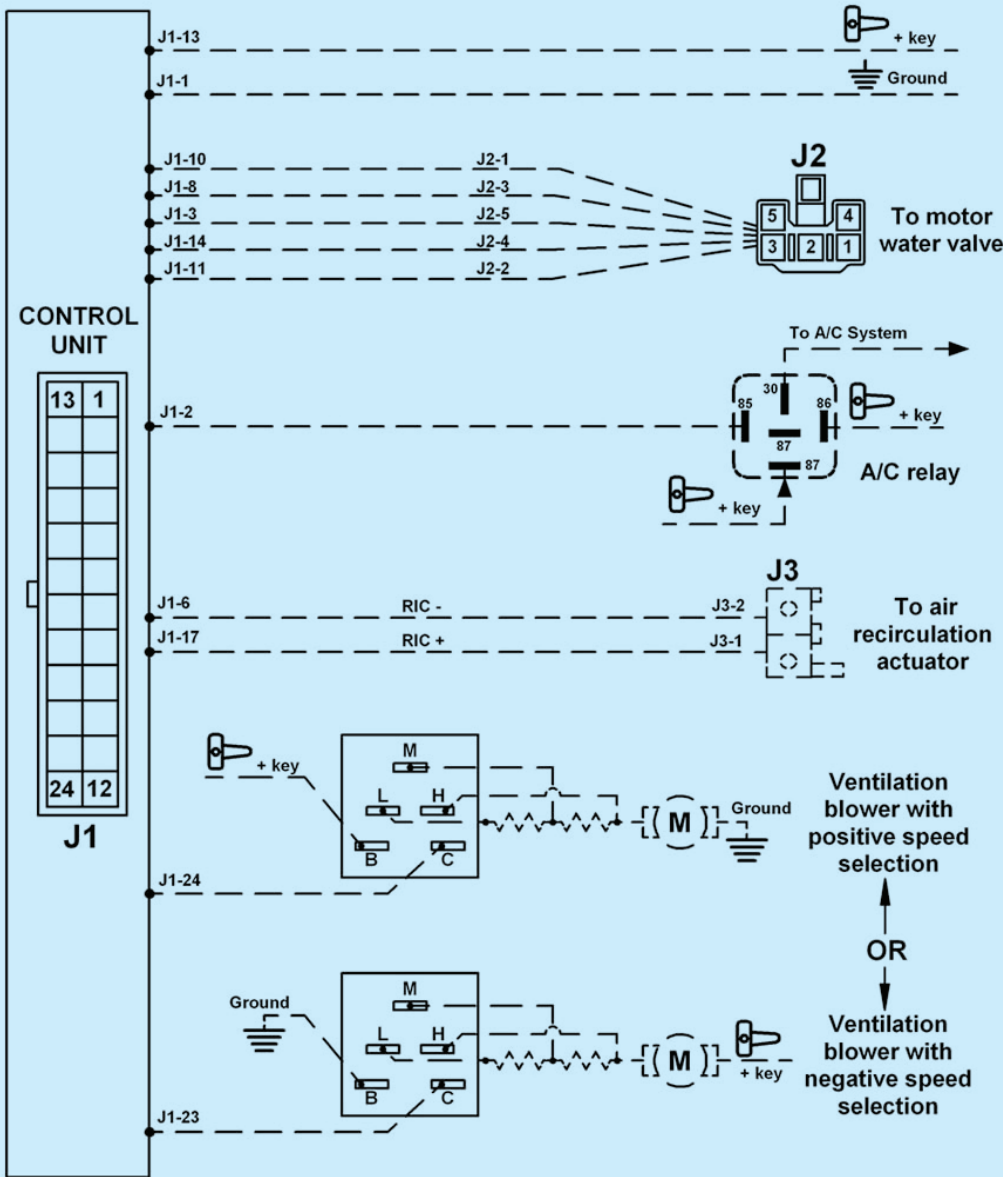
# MIRA

## DOUBLE KNOB LINE



**COMANDO TEMPERTURA  
CONTROL TEMPERATURE**





CODICE PART NUMBER	VERSIONE VERSION
U17CE	12 V.
U18CE	24 V.



DESCRIZIONE
Funzionamento 12V (cod. U17CE)
Funzionamento 24V (cod. U18CE)
Comando temperatura
Comando ventilazione
Comando AC
Illuminato a led

DESCRIPTION
Operation 12v (cod. U17CE)
Operation 24v (cod. U18CE)
Command temperature
Command ventilation
Command AC
Illuminated to led

**Note:**  
The components not supplied are drawn as a dotted line.

IL KIT COMPRENDE / THE KIT COMPRISES

<p>Electrical wiring</p>  <p>Cod. 028197</p>	<p>Motor water valve</p>  <p>Cod. 029011 (12v) - 029011.1 (24v)</p>
---	---