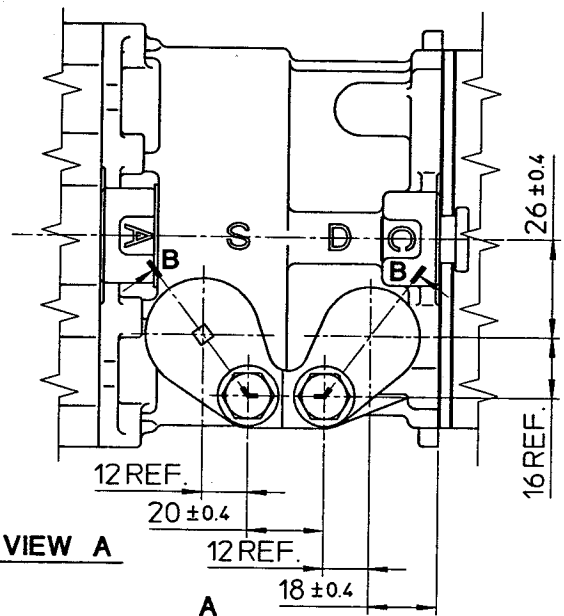
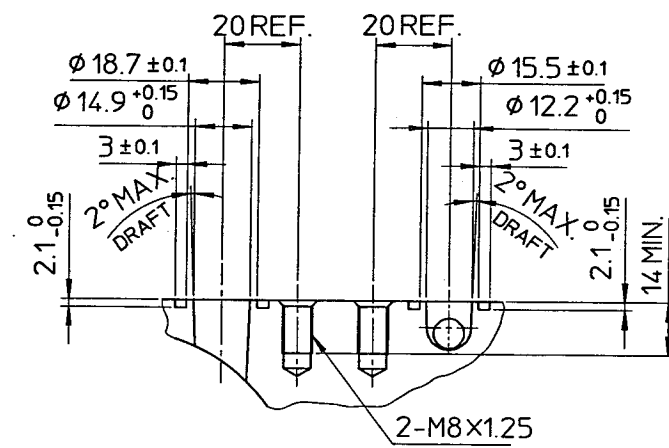


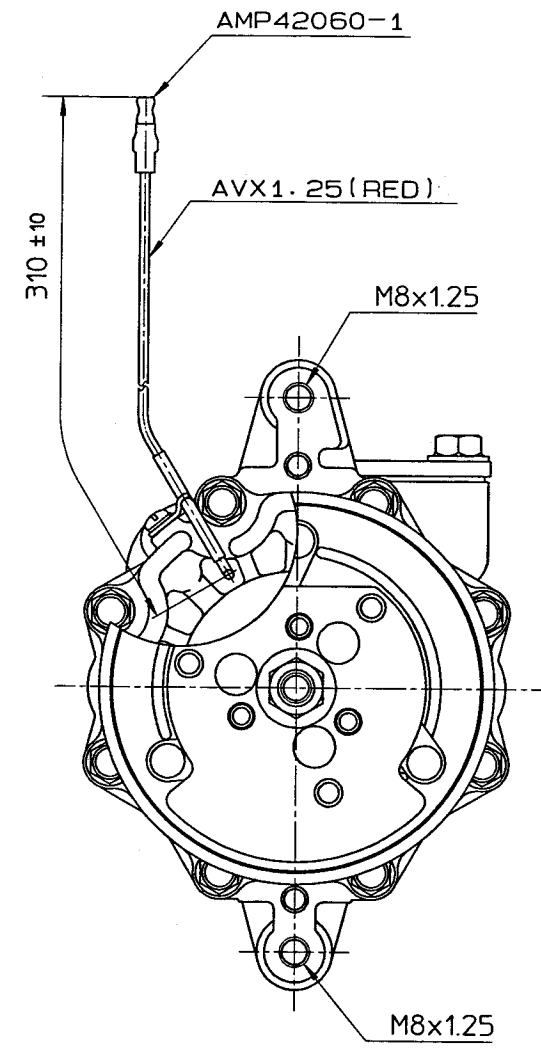
DETAIL OF ROTOR GROOVE (2:1)



VIEW A

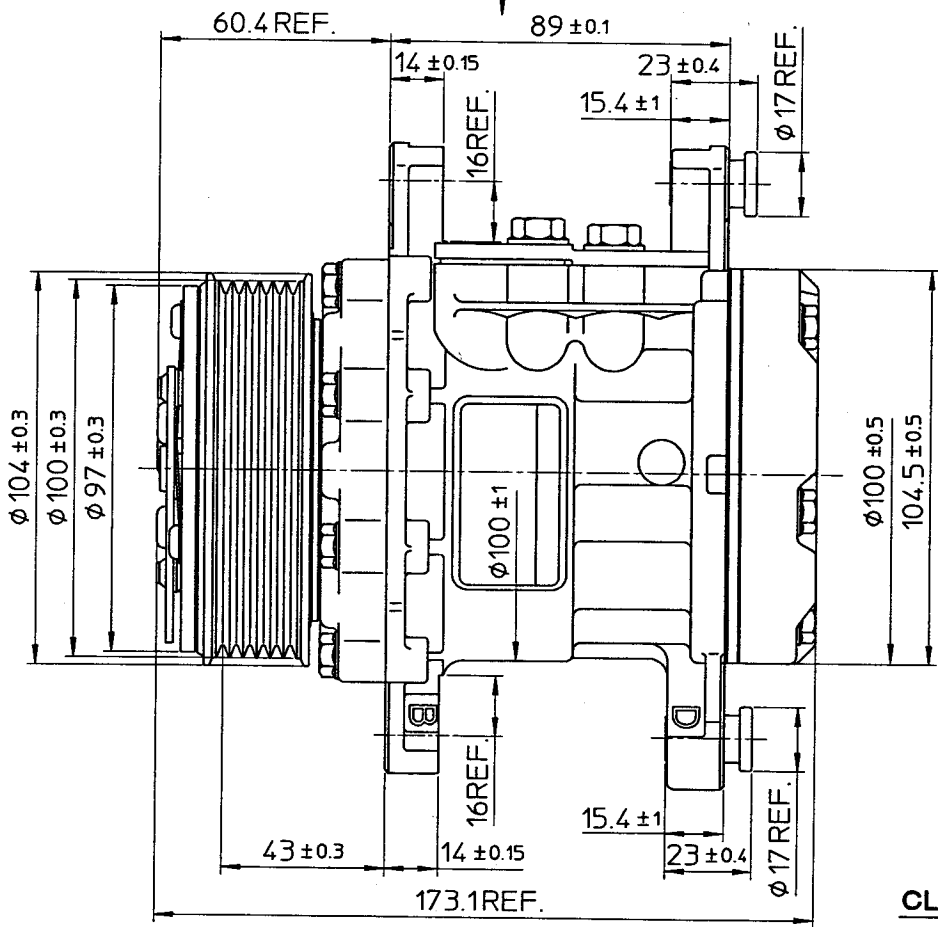


PARTIAL SECT. B-B



COMPRESSOR SPECIFICATIONS

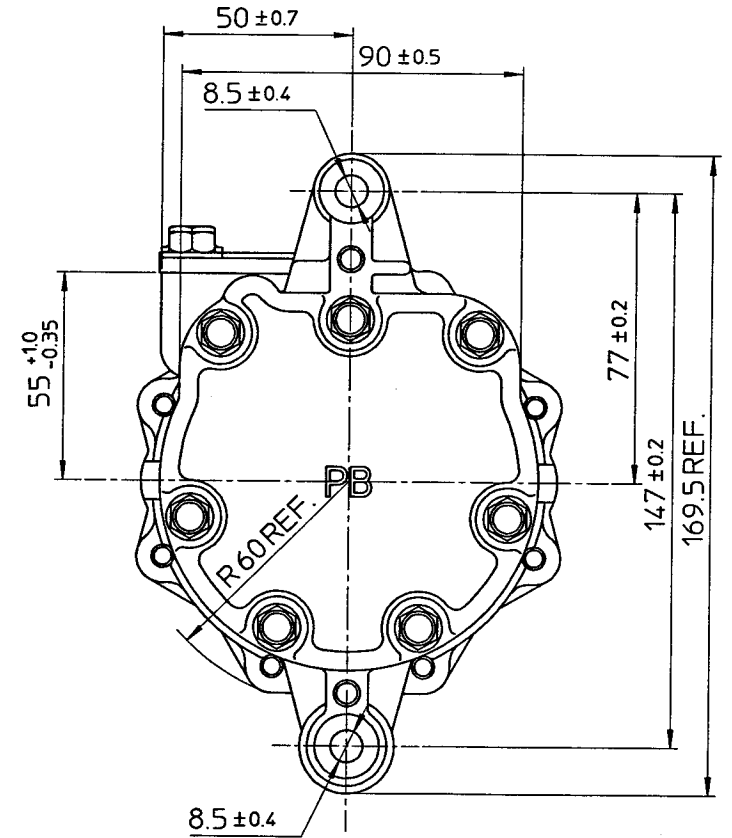
BORE	Ø 25.4 mm (1 in.)
STROKE	28.1 mm (1.11 in.)
DISPLACEMENT PER REVOLUTION	99.8 cc/rev. (6.1 cu.in./rev.)
NUMBER OF CYLINDERS	7
MAXIMUM ALLOWABLE r.p.m.	9300 r.p.m.
MAXIMUM ALLOWABLE CONTINUOUS r.p.m.	6500 r.p.m.
REFRIGERANT	R134a
OIL (SP-10 OR EQUIV.)	100 cc (3.4 fl.oz.)
WEIGHT	2.8 kg (6.2 lb)



CLUTCH SPECIFICATIONS

RATED VOLTAGE	DC 12 V
BREAKAWAY TORQUE	2.35 kg-m (17.0 ft-lb)
MINIMUM ENGAGEMENT VOLTAGE	7.5 V MAX.
POWER CONSUMPTION	43 W (CU)
MAXIMUM ALLOWABLE r.p.m.	9300 r.p.m.
MAXIMUM ALLOWABLE CONTINUOUS r.p.m.	6500 r.p.m.
BELT TYPE	PV TYPE
PULLEY DIAMETER	Ø 100 mm (3.94 in.)
WEIGHT	kg (lb)

* BELT TENSION MAX. 12 Kgf / GROOVE



SEPARATED DRAWING
CHECKED AND APPROVED BY
DATE
J. MITCHELL
30-09-99

UNCONTROLLED COPY

REVISION RECORD		MATERIAL	PART NO.	NAME
		THIRD ANGLE PROJECTION	7172	COMPRESSOR
		SCALE	1:1	MODEL
		DESIGN BY	DATE	SD7B10PB7172
		CHECKED BY	DATE	DRAWING NO.
		APPROVED BY	DATE	7172-6000