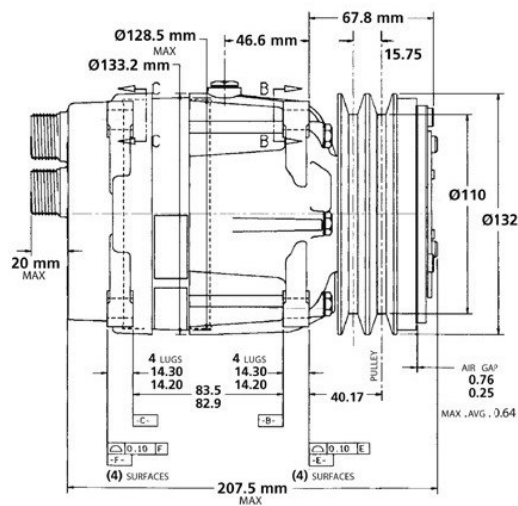


HARRISON V5 COMPRESSOR

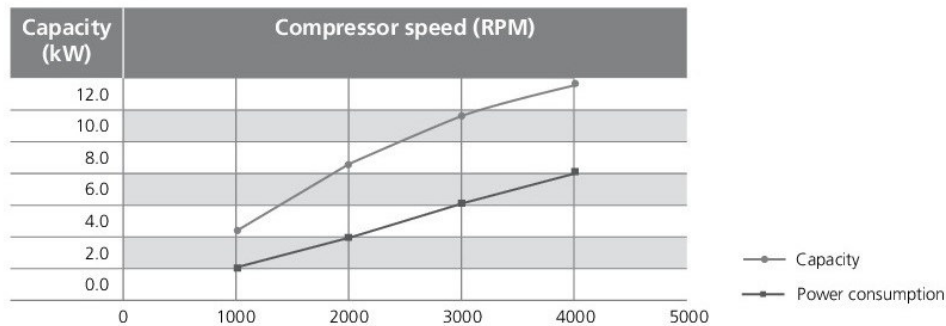
Code 12V: 015016.12V

Code 24V: 015016.24V



The first volume-produced variable displacement compressor, (98/151 cm^3) the five-piston V-5 automatically adjusts displacement to match the vehicle's air-conditioning demand. A control valve in the V-5's rear head senses evaporator load, and automatically changes displacement to match that load. Refrigerant R134a

Performance:



Technical specifications:

Parameters	Specification
Type	5 piston wobble plate mechanism continuously variable displacement
Displacement (cm^3)	Maximum: 156, Minimum: 10
Dimensions (mm)	Length: 205.0, Diameter: 135.0
Dry weight (kg)	6,3 (with clutch assembly)
Capacity (2000 rpm) (W)	7,511
Operating speed (RPM)	standard 6,000, maximum continuous 7,500, transient
Displacement control	Integral pneumatic control valve
High pressure relief valve setting	3171-4137 psf, 3171-4137 kPa
Rotation	Clockwise
Refrigerant	R134a