

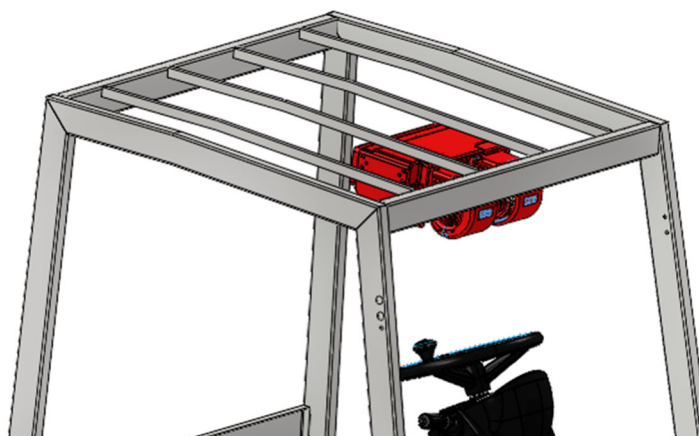
## MIAMI AC TOP

Gruppo Condizionatore sotto tetto

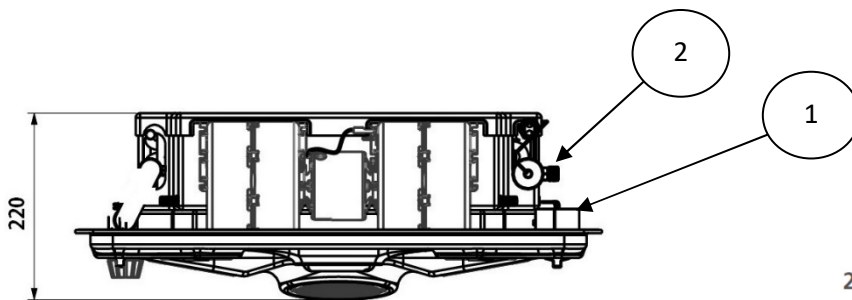
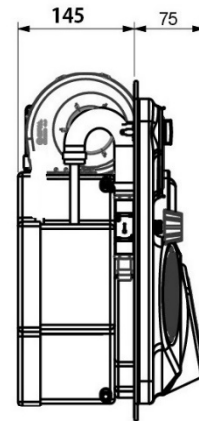
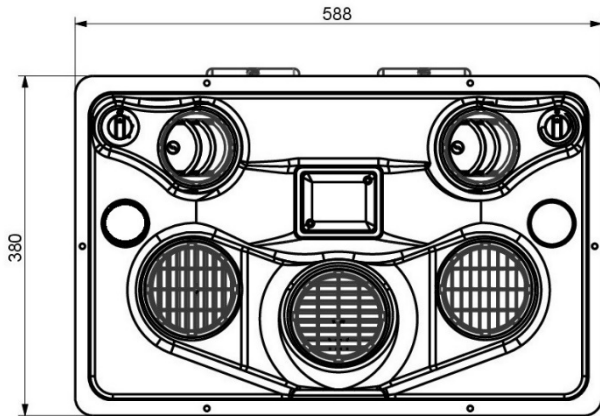
AC Group under roof



Posizione in cabina – Position in the Cabin

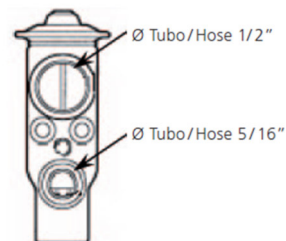
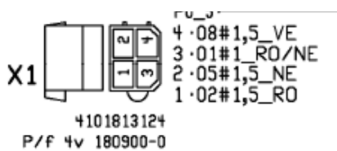


# VAC AC Units



2. Valvola espansione 2 tons (6000 Kcal/h)  
Expansion valve 2 tons (6000 Kcal/h)

1. Connettore Elettrico – Electrical Connector



## MIAMI AC TOP Condizionatore sotto tetto - Under-roof air conditioner

Codice Componente – Component Code	U116FF Version 12V
	U117FF Version 24V
Potenza in raffreddamento @+40° Cooling Power @+40°	8 Kw @ +40°
Portata Aria (bocca libera) AirFlow (free mouth)	1080 m3/h
Assorbimento Elettrico ventilatore Fan Power consumption	@ 12V=25Ah - @24V=12Ah
Velocità ventilatore Ventilation Speed	3
Peso - weight	6,5 Kg

# VAC AC Units

3. Optional: Interruttori On-Off

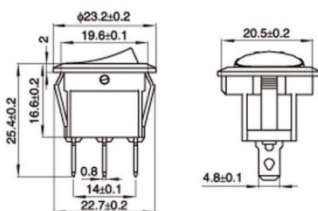
3. Optional: On-Off Switches



068224	INTERRUPTORE BASCULANTE 12V LUCE ROSSA 12V RED LIGHT TOGGLE SWITCH
068224.1	INTERRUPTORE BASCULANTE 12V LUCE VERDE GREEN LIGHT TOGGLE SWITCH
068224.2	INTERRUPTORE BASCULANTE 12V LUCE GIALLA YELLOW LIGHT TOGGLE SWITCH
068224.3	INTERRUPTORE BASCULANTE 12V LUCE BLU BLUE LIGHT TOGGLE SWITCH
068224.4	INTERRUPTORE BASCULANTE 12V LUCE BIANCA SWITCH 12V WHITE LIGHT



### Dimensions



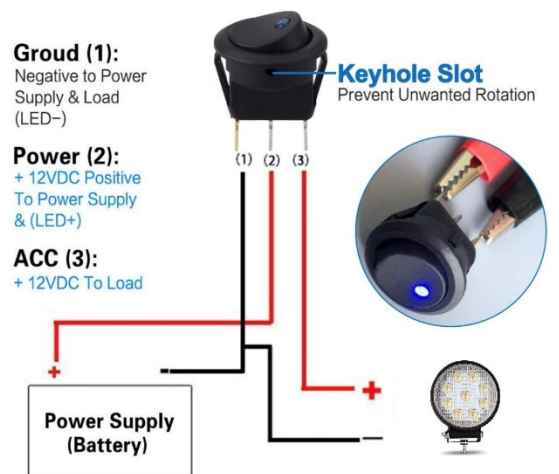
### Install Hole Size



Item	Parameter
Dielectric Strength	≥1500V
Contact Resistance	≤50Megohms
Insulation Resistance	≥100Megohms
Work Volt	AC 150V/250V DC 12V
Work current	10A/16A
Electrical Life	≥10000 cycles
Mechanical Life	≥50000 cycles
Operating Temperature	T85

(IT)-Schema Elettrico Interruttore

(EN)-Switch Wiring Diagram



**Wiring method:**  
(1) connect the negative pole, (2) (3) one in and one out, which can keep him always on, or let him turn on the switch light to light up!