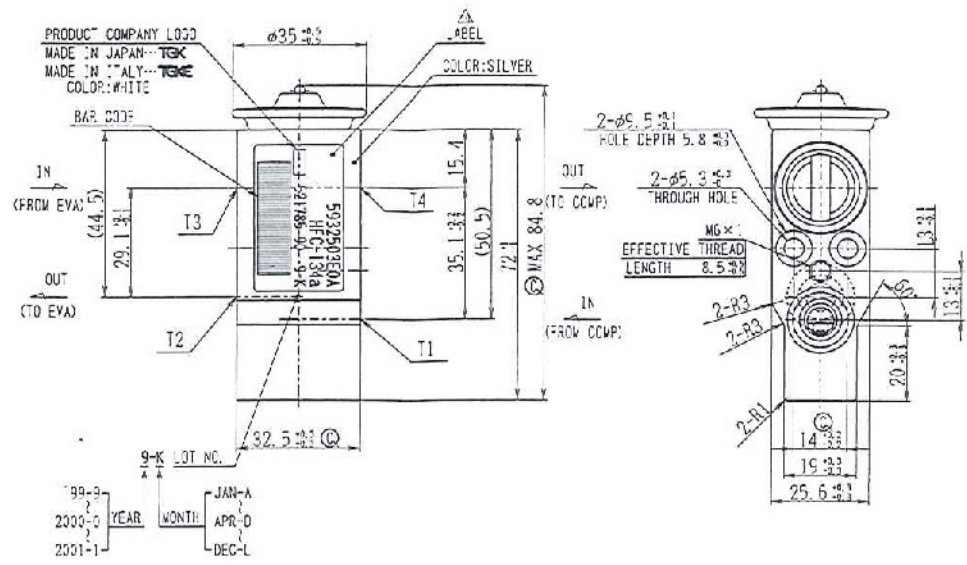


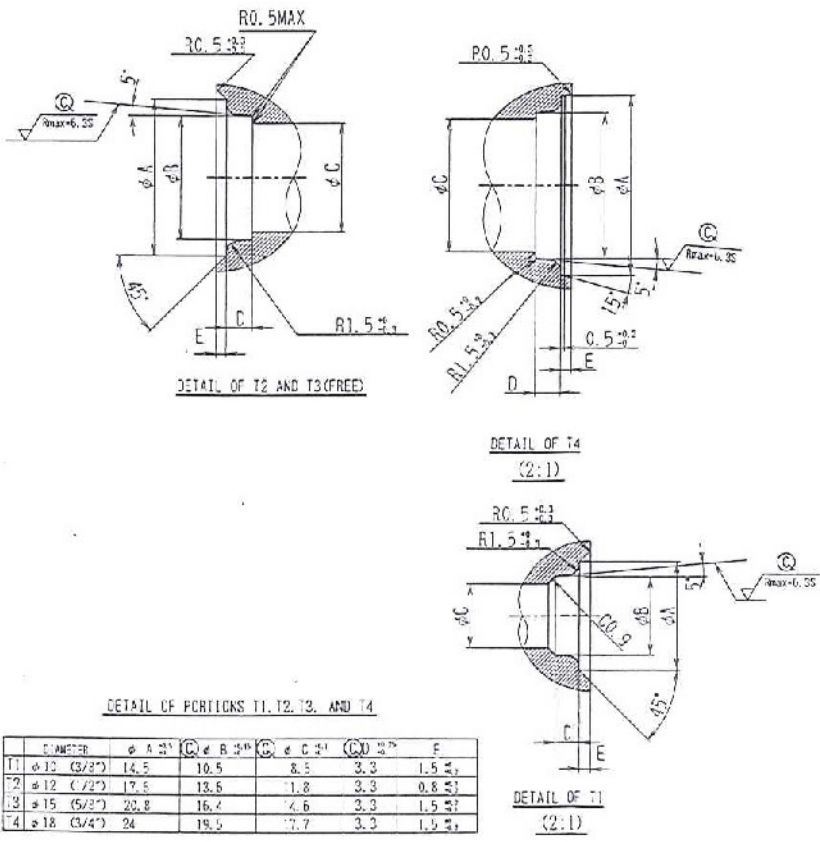
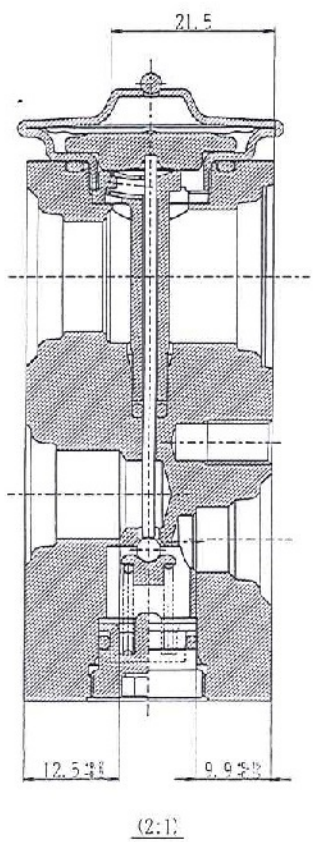
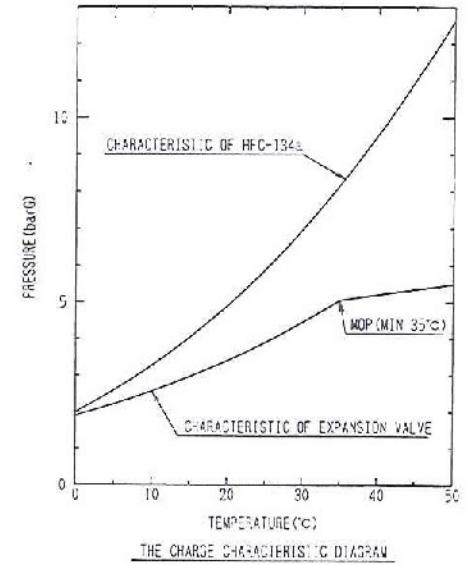
for HFC-134a

- SPECIFICATION**
- REFRIGERANT: HFC-134a
 - CAPACITY: 1.5 TONS
 - SUPERHEAT SETTING (AT $\phi 0.6$ ORIFICE)
 - ① 0°C --- 1.90 ± 0.10 barG
 - ② 10°C --- 2.56 ± 0.20 barG
 - SPECIFICATION NO. --- 521785 SP

- NOTES**
- CFCs and HCFCs shall not be contained in the power element.
 - Compliant with "Directive 2000/53/EC of the European Parliament and of the Council of September 18 2000 on end-of-life vehicles" and "Commission decision of Sept 20 2005 amending Annex II of Directive 2000/53/EC of the European Parliament and of the Council on end-of-life vehicles (2005/673/EC)".
 - ③ Mark shows the critical characteristic.



縮小図
縮小率70%



PRODUCTION
FEB. 7. 2008

| NO. | ITEMS TO DESIGN CHANGE | PERIOD NO. | DATE | CHK | AP |
|-----|--|------------|-------------|------|------|
| ① | LABEL WAS CHANGED. | 14946 | FEB. 7. 08 | H.S. | T.K. |
| ② | PART WAS CHANGED (BODY). | 14908 | DEC. 7. 07 | H.S. | T.K. |
| ③ | NEW SIZE WAS ADDED TO ASSY. (R.F. TOLERANCE, HOLE 2, AND CUSTOMER PART NO. NEW CHANGE) (φ10.5±0.3 → φ10.5±0.1) (MAXIMUM PERMITTED SUPERHEAT) | 4083 | JAN. 07. 06 | T.K. | T.K. |
| ④ | R0.5 WERE ADDED TO T1, T2, T3 AND T4. | 4018 | NOV. 9. 05 | T.K. | T.K. |
| ⑤ | ③ MARKS AND NOTES NO.3 WERE ADDED. | 13673 | NOV. 17. 04 | H.S. | T.K. |
| ⑥ | PARTS LIST AND NOTES 2, WERE ADDED. | 13332 | NOV. 10. 03 | H.S. | T.K. |
| ⑦ | PLUS/PLUS (= BAL.) WAS CHANGED. | 13304 | SEP. 30. 03 | H.S. | T.K. |
| ⑧ | BODY TOLERANCE AND SPECIFICATION WERE CHANGED. | 12451 | JUN. 14. 01 | H.M. | H.M. |
| ⑨ | BODY TOLERANCE WAS CHANGED (ORIFICE - PART 1 ORIFICE) | 12335 | FEB. 25. 01 | H.S. | H.S. |
| ⑩ | LABEL WAS CHANGED. | 12204 | SEP. 27. 00 | H.S. | H.S. |
| ⑪ | NEWLY DESIGNED | 11919 | NOV. 30. 99 | H.N. | H.N. |
| SYM | ITEMS TO DESIGN CHANGE | | | | |

MAISI CONDITIONERS

CUSTOMER PART NO. 5. 932. 503. E0

SCALE 1:1

DATE: NOV. 20. 03

DESIGNER: N. Masuyama, S. Sawahashi, T. Sando

CHECKER: H. Kawahata, H. Hirotsu

DATE: DEC. 1. 03

APPROVED: M. Saito