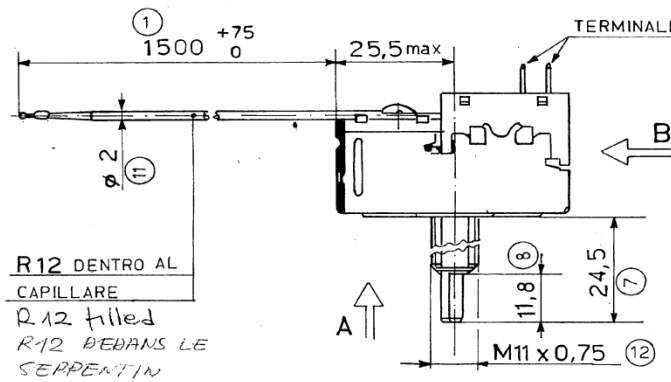
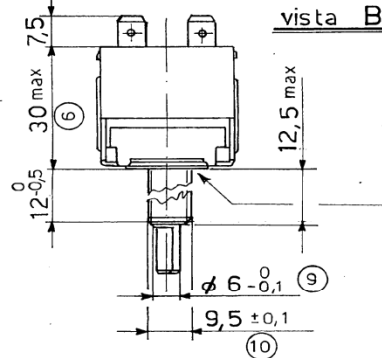
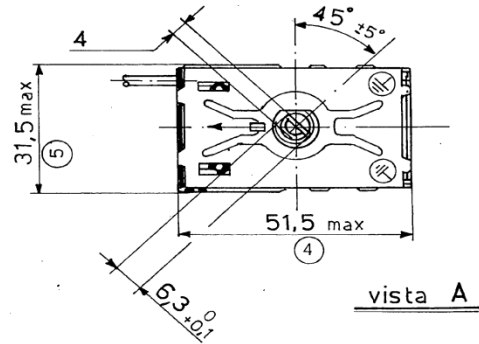


TERMOSTATO VISTO IN POSIZIONE DI FREDDO

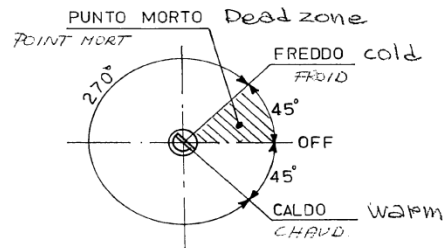
Shown in max cold position
Thermostat vu en position FROID



R12 DENTRO AL
CAPILLARE
R12 filled
R12 DEDANS LE
SERPENTIN



COMPLETO DI DADO M11x0,75
CH14 Spessore 2,5



PIANTA QUADRANTE
ROTAZIONE IN SENSO ORARIO DA CALDO A FREDDO
from warm to cold rot. clockwise
ROTATION DANS LE SENS DE LA MONTRE POUR
CHANGER

TOLLERANZE QUOTE LIBERE GRADO GROSSOLANO	
0-5	± 0,2
5-30	± 0,3
30-100	± 0,4
100-315	± 0,5
315-1000	± 0,6
1000-3150	± 0,8
3150-10000	± 1,0
10000-31500	± 1,2
31500-100000	± 1,5
100000-315000	± 2,0
315000-1000000	± 2,5
1000000-3150000	± 3,0
3150000-10000000	± 4,0
10000000-31500000	± 5,0
31500000-100000000	± 6,0
100000000-315000000	± 8,0
315000000-1000000000	± 10,0
1000000000-3150000000	± 12,0
3150000000-10000000000	± 15,0
10000000000-31500000000	± 20,0
31500000000-100000000000	± 25,0
100000000000-315000000000	± 30,0
315000000000-1000000000000	± 40,0
1000000000000-3150000000000	± 50,0
3150000000000-10000000000000	± 60,0
10000000000000-31500000000000	± 80,0
31500000000000-100000000000000	± 100,0
100000000000000-315000000000000	± 120,0
315000000000000-1000000000000000	± 150,0
1000000000000000-3150000000000000	± 200,0
3150000000000000-10000000000000000	± 250,0
10000000000000000-31500000000000000	± 300,0
31500000000000000-100000000000000000	± 400,0
100000000000000000-315000000000000000	± 500,0
315000000000000000-1000000000000000000	± 600,0
1000000000000000000-3150000000000000000	± 800,0
3150000000000000000-10000000000000000000	± 1000,0

TEMPERATURA ° DI TARATURA A 737 mmHg

FREDDO		NORMALE		CALDO	
uscita	ingresso	uscita	ingresso	uscita	ingresso
-1 ±1	+4 ±1				+14 ±2

POS.	O.TA	MATERIALE	DIMENSIONI	CODICE	Peso gr. Kg.	Peso fin. Kg.
MASI		MATERIALE			Sostituiscere	
CONDITIONERS		CODICE			N. Pezzi	1
		TRATT. TERM.			Scale	1:1
		TRATT. SUP.	F. Zh7 III UNI 4721		Data	04-04-85
		DENOMINAZIONE	TERMOSTATO		Disegnato	Controliato
			K55-L 7508		Disegno N.	068002