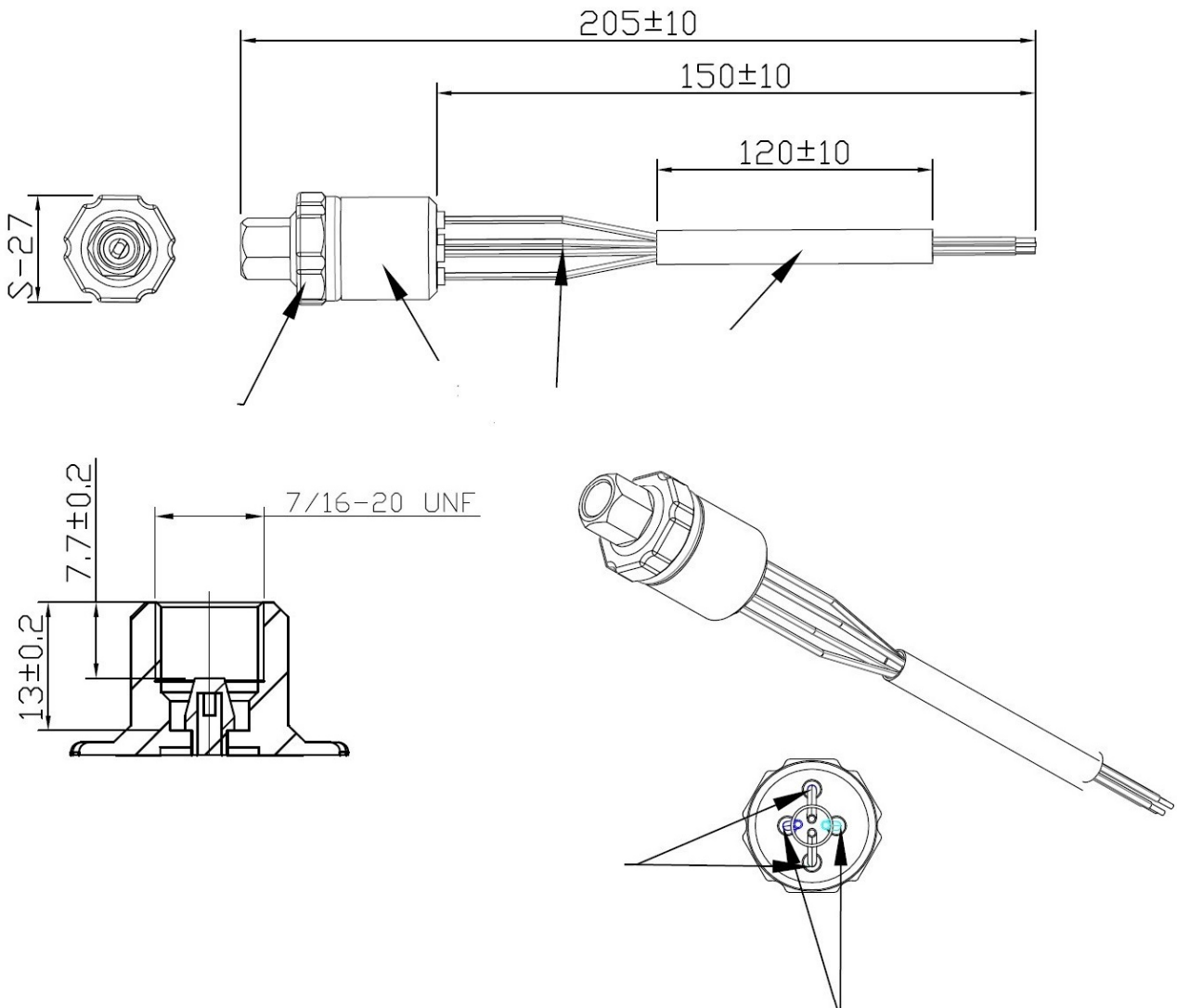


043002	PRESSOSTATO TRINARI 3 LIVELLI FEMMINA TRINARY PRESSURE SWITCH 3 LEVELS FEMALE
--------	--



技术条件

1,	R134a	7,	3.85MPa, /3min
2,	-40℃~100℃	8,	DC500V ≥50MΩ
3,	MPa】	9,	≤0.25V
4,	4.3MPa	10,	10~13.5N.m
5,	/T1804-M	11,	QC/T20-1992
6,	8MPa/2min		

LP	MP	HP
oN: 0.2 off: 0.16±0.02	oN: 1.7±0.1 off: 1.3±0.2	off: 2.8±0.1 oN: 2.0±0.2